



JD24 LOADER

FEATURES

- 37 brake horsepower
- 4-cylinder Wisconsin gasoline engine
- Turns within its own length
- 4-wheel drive, 2 multi-disk clutches on each side
- Instant reversing
- Simple controls
- Choice of 6 buckets; 2 pallet forks; or pulpwood grapple

LOADER SPECIFICATIONS

Buckets:	Struck Capacity		Width	
	cu. ft.	m ³	in.	meters
Dirt w/Push-off	8.6	0,244	65	1,65
Light Materials	20.2	0,572	67	1,70
Fertilizer	15.3	0,433	65	1,65
Dirt and Foundry	10.5	0,297	65	1,65
Utility	12.5	0,354	65	1,65
Produce	15.0	0,425	72	1,83

Pallet Forks:

36 in. (914 mm) tines	43	1,09
46 in. (1,17 m) tines	43	1,09

Operating Information:

- Lift capacity, full height: (approx.)
 - W/bucket or fork 1,700 lb. (771 kg)
 - W/pulpwood grapple 1,000 lb. (454 kg)
- Pulpwood grapple capacity 1/5 cord
- Maximum clamp dia. 4 ft. 9.5 in. (1,46 m)
- Minimum clamp dia. 11.75 in. (298 mm)
- Grapple arms above ground, boom raised 9 ft. 2 in. (2,79 m)
- Grapple arms below ground, boom lowered 2 in. (51 mm)
- Grapple loading height 11 ft. 3 in. (3,43 m)

Hydraulic System:

- System pressure 1,750 psi (123,0 kg/cm²)
- Loader control Dual-pedal, double hydraulic system
- Pump Gear-type, 18 gpm (68 lpm) @ 2,400 engine rpm
- Oil lines Welded JIC steel tubing; single-wire-braid hose
- Filter 33-micron paper cartridge in suction line

Cylinders:	Bore	Stroke
Boom	3-in. (76 mm)	27.5-in. (699 mm)
Bucket	3-in. (76 mm)	16.5-in. (419 mm)
Grapple	2.5-in. (64 mm)	8-in. (203 mm)
Piston rods	Ground, heat-treated, chrome-plated, polished	
Boom cylinders	1.5-in. (38 mm) dia.	
Bucket cylinders	1.25-in. (32 mm) dia.	
Grapple cylinders	1.125-in. (29 mm) dia.	



SPECIFICATIONS—JD24 LOADER

(Specifications and design subject to change without notice. Wherever applicable, specifications are in accordance with IEMC and SAE Standards. Except where otherwise noted, these specifications are for a unit equipped with 15.3 cu. ft. (0,433 m³) fertilizer bucket and standard equipment.)



Horsepower (@ 2,400 engine rpm):

Brake (SAE) 37
 Brake horsepower is for an engine equipped with fan, air cleaner and muffler; and is maximum under SAE standard conditions at sea level and 60° F. temperature.

Engine: Wisconsin VG4D, 4-cylinder, 4-stroke cycle, gasoline

Bore and stroke 3.5 x 4 in. (89 x 102 mm)
 Piston displacement 154 cu. in. (2524 cm³)
 Compression ratio 5.05 to 1
 Governed speed range 1,400-2,400 rpm
 Maximum torque @ 1,600 rpm 93.8 lb-ft (13,89 kg-m)
 NACC or AMA (U.S. Tax) horsepower 19.6
 Lubrication Pressure with full flow filter
 Cooling fan Suction-type
 Air cleaner Dry-type
 Electrical and starting system 12-volt with alternator

Transmission:

Multi-disk clutches, 2 on each side, roller cam actuated with 11 wear surfaces and heavy-duty precision separator springs. Clutches lubricated by return hydraulic oil in enclosed housings.

Travel Speeds:

	mph	km/h
Forward or reverse	0-7	0-11,3

Final Drives:

Axle is specially-treated, forged 2.56 in. (65 mm) dia. steel. Chain and sprocket primary, secondary and final drives.

Steering Power

Tires 10.00-16.5, 6-ply-rating, R3

Capacities:

	U.S.	Liters
Fuel tank	25 gal.	94,6
Engine lubrication	5 qt.	4,7
Loader hydraulic system	20 gal.	75,7

Operating Weight (approx.):

W/o bucket, fork or grapple 4,750 lb. (2155 kg)

Shipping Weight (approx.):

Buckets:

Dirt w/Push-off	515 lb.	(234 kg)
Light Materials	455 lb.	(206 kg)
Fertilizer	400 lb.	(181 kg)
Dirt and Foundry	350 lb.	(159 kg)
Utility	380 lb.	(172 kg)
Produce	405 lb.	(184 kg)

Pallet forks (w/mounting frame):

Two 36 in. (914 mm) tines	265 lb.	(120 kg)
Two 46 in. (1,17 m) tines	285 lb.	(129 kg)

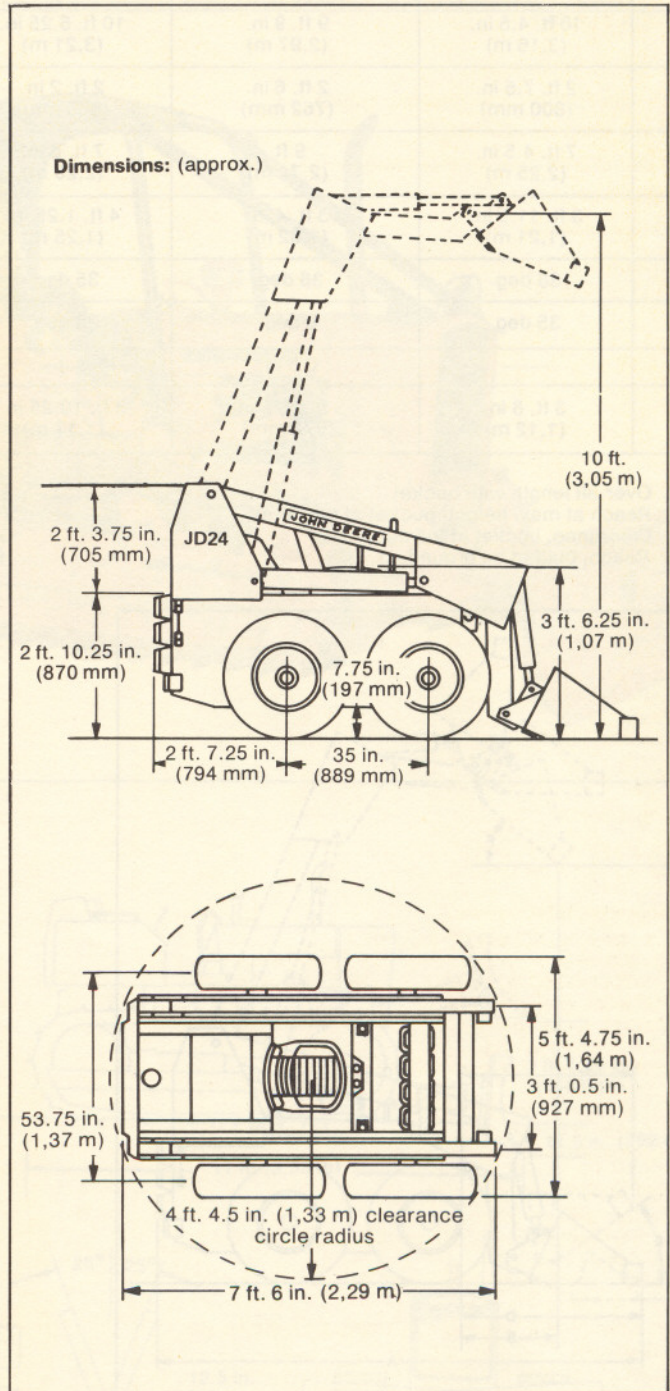
Pulpwood grapple 820 lb. (372 kg)

Standard Equipment:

Counterweights
 Seat belt w/retractors
 Deluxe seat

Special Equipment:

Lights (front, rear, and flashing)
 Boom lock assembly
 Engine mud guard kit
 Belly pan kit
 Roll-over protective structure w/canopy, w/ or w/o wire mesh screens
 Cab (includes roll-over protective structure)
 Windshield wiper for cab
 Additional counterweight
 Engine screen guard



JD24 LOADER

Bucket Positions:

	Buckets					
	Produce	Dirt w/ Push-off	Light Materials	Utility	Fertilizer	Dirt and Foundry
A	10 ft. 4.5 in. (3,16 m)	9 ft. 9 in. (2,97 m)	10 ft. 6.25 in. (3,21 m)	10 ft. 2.5 in. (3,11 m)	10 ft. 2.5 in. (3,11 m)	9 ft. 9.75 in. (2,98 m)
B	2 ft. 7.5 in. (800 mm)	2 ft. 6 in. (762 mm)	2 ft. 2 in. (660 mm)	1 ft. 10.75 in. (578 mm)	1 ft. 10.75 in. (578 mm)	1 ft. 7.75 in. (502 mm)
C	7 ft. 4.5 in. (2,25 m)	9 ft. (2,74 m)	7 ft. 6 in. (2,29 m)	7 ft. 7.625 in. (2,33 m)	7 ft. 7.625 in. (2,33 m)	7 ft. 10.75 in. (2,41 m)
D	3 ft. 11.5 in. (1,21 m)	3 ft. 4 in. (1,02 m)	4 ft. 1.25 in. (1,25 m)	3 ft. 9.5 in. (1,16 m)	3 ft. 9.5 in. (1,16 m)	3 ft. 4.75 in. (1,04 m)
E	38 deg.	38 deg.	35 deg.	35 deg.	35 deg.	35 deg.
F	35 deg.	6 deg.	38 deg.	38 deg.	38 deg.	38 deg.
G	---	0.5 in.	---	0.5 in.	---	0.5 in.
H	3 ft. 8 in. (1,12 m)	3 ft. 2.25 in. (972 mm)	3 ft. 10.25 in. (1,17 m)	3 ft. 6.75 in. (1,09 m)	3 ft. 6.75 in. (1,09 m)	3 ft. 3.5 in. (1,00 m)

- A. Over-all length with bucket
- B. Reach at max. height, bucket at full dump
- C. Clearance, bucket at full dump
- D. Reach, bucket on ground
- E. Bucket rollback
- F. Maximum dumping angle
- G. Digging depth below ground level
- H. Reach, bucket rolled back

