

SWING MACHINES

2054 2554 3554

ROAD BUILDING

WOOD HANDLING

PROCESSING



THE MULTI-TOOL OF THE WOODS.

Whatever the job calls for, from building roads to shoveling logs to harvesting and processing, the 54 Series swing machines can do it with ease.



SWING MACHINES

ROAD BUILDING	WOOD HANDLING	PROCESSING


Swing Machine Systems—No one offers the extensive product line, dealer network and tough, purpose-built machines like John Deere.



	2054	2554	3554
Rated Power	141 SAE net hp <i>105 kW</i>	177 SAE net hp <i>132 kW</i>	246 SAE net hp <i>183 kW</i>
Maximum Net Torque	427 lbf. <i>579 Nm</i>	540 lbf. <i>723 Nm</i>	940 lbf. <i>1 275 Nm @ 1,100 rpm</i>
Swing Torque	43,218 lbf. <i>58 640 Nm</i>	51,600 lbf. <i>70 013 Nm / 79,500 lbf. 107 869 Nm</i>	82,800 lbf. <i>112 347 Nm / 109,500 lbf. 148 574 Nm</i>
Drawbar Pull, Standard	44,420 lb. <i>20 150 kg</i>	44,420 lb. <i>20 150 kg / 56,074 lb. 25 435 kg</i>	56,074 lb. <i>25 435 kg / 79,590 lb. 36 101 kg</i>

There's not much these swing machines can't do. They're purpose-built to be the toughest carrier in the woods, not a modified excavator. Available as a roadbuilder, shovel logger, harvester/processor, stroke delimeter or log loader, the 54s come with the factory-installed front for your specific application, so there's no need for front conversions or added guarding.

You get a swing machine that works as hard as you, with the increased productivity you've come to expect from John Deere. Built extra tough to take the punishment and dish it out shift after shift. The 54 Series swing machines are designed to give you the most for your hard-earned dollar. Period.



Logging fronts are designed and tested for the application, maximizing machine balance with lift and reach.

Integral under decking, log deflector, ¼-inch top plates and side doors, and strengthened bulkheads all help to protect the valuable components and keep the machine running in the toughest of conditions.

These purpose-built structures combined with John Deere power and load-sensing hydraulics make these machines the smoothest and fastest in the industry.



Operator stations are designed to protect the operator, meeting all current FOPS, FOGS and OPS regulations while maximizing comfort and visibility.

Standard 269-gallon fuel tank allows operator to work extended shifts between fill-ups.

Purpose-built upper frame and undercarriage are designed for tough forestry environments.

Strong undercarriage with increased ground clearance allows the machine to get around in difficult forestry applications.

TAKE A LOOK AROUND.

BE COMFORTABLE WITH YOUR PRODUCTIVITY.



Suspension seat can be custom fit from levers to pedals for each operator. Features an AM/FM radio.

We pay special attention to your comfort. That's why our cabs have all the features to take the rough work out of your job and make the most of every shift.



- The spacious cab maximizes visibility through the use of scratch-resistant polycarbonate windows and vertical bars.
- Depending on application, the forestry cab comes mounted on either a 7-in. (178 mm) or 48-in. (1 219 mm) hydraulically tilting riser. The 2554 and 3554 have optional rear-entry cabs with 48-in. (1 219 mm) or 72-in. (1 829 mm) risers with hydraulic tilt.

These best-in-class cabs are designed and tested to meet all OSHA, SAE, WCB and ISO standards applicable to the forestry industry.

Take a seat in the cab of a 54 Series swing machine and you will feel what it's like to sit in the lap of luxury. With a deluxe cloth suspension seat that features a reclining back with adjustable armrests and headrest. Joystick controls and accessory switches are within reach for your convenience. All that comfort is surrounded in a noise-controlled environment with auto-controlled A/C and heat for all-season comfort.

Industry-leading hydraulics automatically match the engine output to the load for effortless operation and smooth cycling. The high lift capacities and swing-dampening give you the load control you need for top productivity and the long boom reach allows you to do more from one position.

OVERBUILT TO HANDLE THE DAILY PUNISHMENT.

Heavy-duty undercarriages and heavy-gauge steel guards make the 54s as dependable as the work day is long.



The cab, handrails, steps and skid-resistant walkways are built to ensure operator safety.



The large capacity of the 269-gal. (1 018 L) fuel tank lets you work longer between fill-ups.



Boom and arm cylinders are encased in extra-heavy protection to shield hoses, cylinders and rods for maximum reliability.

It's brutal out there. You need a machine that can stand up to the test day after day. You can count on the durability of the 54 Series swing machines. The massive forged swing bearing tower is mounted on a sturdy X-frame with no welds—for no worries and extended bearing life. Forest-tough undercarriages are made tougher for improved uptime with propel motor shields, under-tower center guard, heavy-plate side guards, track guides and upper track rollers with supports.

Up above, heavy-gauge steel underbelly guarding extends into walkways, and beefy frame rails further strengthen the upper, making a solid base for the cab and boom and the constant forces of swinging.



No matter what front you choose for your operation, rest assured it's been stress tested under real forestry conditions for durability and peace of mind.

2054

SWING MACHINES

2054 2554 3554



Track Harvester

BIG POWER COMES IN A SMALL PACKAGE.

Don't let the size of the 2054 swing machine fool you. It packs a punch in overall strength, power and lift capacity with value that's good for your bottom line.

The 2054 is the smallest in the 54 Series, but it outperforms other machines in its class with mid-size production. At 141 hp (105 kW), the six-cylinder John Deere 6068 turbocharged diesel engine delivers the torque curve to efficiently handle the job and decreases fuel consumption. Load-sensing hydraulics further that efficiency by automatically matching the power for smooth cycles and easy operation.

For superior strength and reliability, the 2054 has two optional High and Wide undercarriages. Both offer improved ground clearance and greater stability. Tail swing of only 9 ft. 7 in. (2.9 m) allows you to get into tight spots without worrying about what's around you.



Delimber

269-gal. (1 018 L) fuel tank is integrated with the counterweight. Counterweights are designed with the fronts for maximum stability.

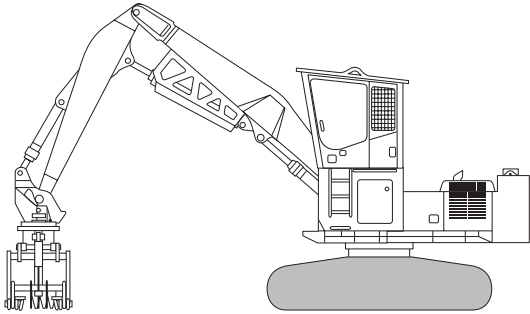
Log Loader



Large toolbox on the right front mainframe offers the operator extra storage for tools, chainsaws and necessities.



The Tier II 6068 diesel engine is compliant for off-road emissions.



2554

SWING MACHINES

2054 2554 3554



Weighing 31 metric tons, the 2554 is the toughest, most reliable machine in its class.

GET MORE THAN YOU EXPECT.

When you work high-volume logging, the 2554 will put out more than you expect from a swing machine of this size, no matter what front you use.



Log Loader



Road Builder



Swamp Logger

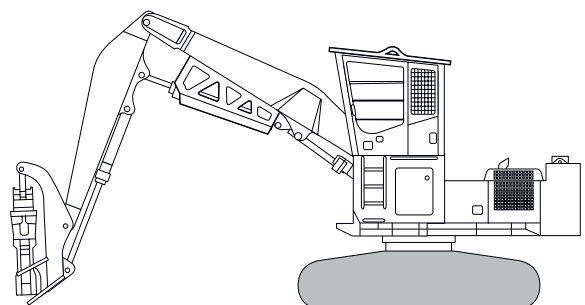


By automatically matching engine output to hydraulic demand, you get smooth performance and extended component life.

Delimber

Get a productivity boost with the 177-hp (132 kW) John Deere 6068H turbocharged diesel engine. Combine the electronically controlled, high-torque engine with an on-demand hydraulic system for maximum fuel efficiency. With the 269-gal. (1 018 L) fuel tank as the standard, these machines will keep you producing through multiple shifts without refueling.

The 2554 has three undercarriages available: the standard 8-ft. 10-in. (2.7 m) gauge with 24-in. (610 mm) ground clearance, along with two high drawbar options, both with 28-in. (711 mm) ground clearance. No matter which undercarriage is right for you, it will get you where you need to go. Combine the undercarriages with multiple fronts, cab and riser options as well as attachments for a swing machine that meets all your logging needs. Forest-tough undercarriages utilize heavy-plate construction, deep section and forged bearing towers to give you the dependability you need to do your job shift after shift.



3554

SWING MACHINES

2054 2554 3554




Shovel Loader

HANDLE BIG WOOD WITH EASE.

The “big brother” 3554 swing machine has the reach, lift capacity and horsepower to give you the productivity you need to turn a profit. All wrapped in a heavy-duty package.

PAGES

14–15



Choose between three undercarriages—the standard heavy-duty or two optional high drawbar versions. All offer 28-in. (711 mm) of ground clearance for go-anywhere mobility.

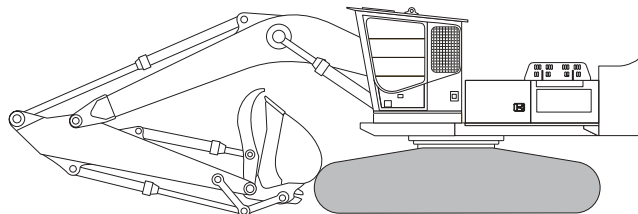


Optional 72-in. (1 829 mm) rear-entry cabs offer the operator optimum security, visibility, comfort and roominess.

BNT Loader

When the job calls for a brute of a machine, the 3554 delivers. At 246 hp (183 kW), the John Deere 6081H diesel makes light work of tough jobs. Electronically controlled fuel-injection delivers all the torque you need on demand at low RPMs, which is easy on fuel and components. These exceptionally well-balanced machines have the horsepower, hydraulics, balance, swing and drawbar to maximize your productivity.

We've designed the entire upper with heavy-gauge steel to stand up to anything the woods can deliver. The integrated counterweight/fuel tank is protected by a 3/4-in. steel plate, which gives you peace of mind when you get into tight stands.



TIME IS MONEY — SAVE ON BOTH.

When it's time for routine maintenance, the forward-thinking design of the 54 Series swing machines makes it fast and easy.



The design of the undercarriage lets you get at it for easy inspection and servicing.

Hydraulic tilt cab, standard on the 48-in. (1 219 mm) and 72-in. (1 829 mm) risers, tilts into a full forward position to avoid height clearance problems during transport.



Spending precious time just getting to daily service points is like throwing money out the window. Smartly engineered access through large service panels makes it an efficient process.

We've built fuel-efficiency into our diesel engines. All three models in the 54 Series feature Tier II turbocharged engines. The electronically controlled fuel injection delivers the torque curve for the job at hand to make the most of every gallon of fuel.

Rest assured that your purpose-built John Deere Forestry equipment is supported by the most extensive dealer network in the industry and unsurpassed parts availability. That's our promise.



ENGINE

Type	John Deere 6068T, Tier II EPA off-road emission compliant
Rated Power	141 SAE net hp <i>105 kW</i>
Displacement	414 cu-in <i>6,8 L</i>
Maximum Net Torque.....	427 lbf. <i>579 Nm</i>
Fuel Consumption, Typical	4.0 to 6.0 gal./hr. <i>15,1 to 22,7 L/hr.</i>
Electrical System	24 volt with 45-amp alternator
Batteries (Two 12 Volt)	Reserve capacity: 180 min.

HYDRAULIC SYSTEM

Main Pumps	Two variable-displacement axial-piston
Maximum Flow	2 x 57.9 gpm <i>2 x 219 L/min.</i>
System Operating Pressure	
Implement Circuits.....	4,980 psi <i>34 336 kPa</i>
Travel Circuits	4,980 psi <i>34 336 kPa</i>
Swing Circuits.....	4,410 psi <i>30 406 kPa</i>
Power Boost	5,270 psi <i>36 336 kPa</i>
Oil Filtration	One full-flow return filter/Full-flow swing and travel motor drain line filter/One suction filter

SWING MECHANISM

Swing Speed	0–13.3 rpm
Swing Torque.....	43,218 lbf. <i>58 640 Nm</i>

UNDERCARRIAGE

Travel Speed	
Maximum	0–3.4 mph <i>0–5.5 kph</i>
Drawbar Pull.....	44,420 lb. <i>20 150 kg</i>

CAPACITIES

Fuel Tank	269 gal. <i>1 018 L</i>
Cooling System.....	25 qt. <i>23,5 L</i>
Engine Lubrication, Including Filter	20 qt. <i>19 L</i>
Hydraulic Tank	34 gal. <i>130 L</i>
Propel Gearbox (Each).....	5.5 qt. <i>5,2 L</i>
Swing Drive	5.0 qt. <i>4,7 L</i>

2054 DELIMBER CARRIER

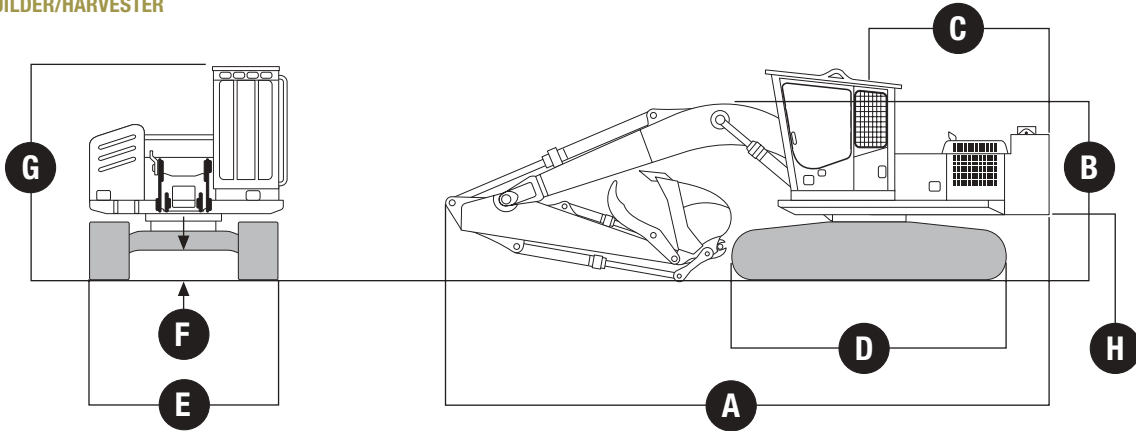
Operating Weight With 94-in. 2 388 mm Gauge Undercarriage, Standard	47,600 lb. <i>21 590 kg</i>
Operating Weight With 110-in. 2 794 mm Gauge Undercarriage, Optional.....	50,900 lb. <i>23 090 kg</i>

JOHN DEERE 2054 ROAD BUILDER/HARVESTER

DIMENSIONS

	Standard 94-in. 2 388 mm	High and Wide 110-in. 2 794 mm	High and Wide 115-in. 2 921 mm
A Shipping Length With 9 ft. 7 in. 2,92 m Arm	31 ft. 10 in. 9,69 m	31 ft. 10 in. 9,69 m	31 ft. 10 in. 9,69 m
B Boom Height With 9 ft. 7 in. 2,92 m Arm	9 ft. 9 in. 2,96 m	9 ft. 9 in. 2,96 m	9 ft. 9 in. 2,96 m
C Tail Swing	9 ft. 10 in. 3,00 m	9 ft. 10 in. 3,00 m	9 ft. 10 in. 3,00 m
D Overall Track Length	14 ft. 8 in. 4,46 m	14 ft. 8 in. 4,46 m	14 ft. 8 in. 4,46 m
E With 28-in. 711 mm Double-Bar Grouser Shoes	10 ft. 6 in. 3,21 m	11 ft. 6 in. 3,51 m	11 ft. 11 in. 3,63 m
F Ground Clearance	1 ft. 5 in. 455 mm	2 ft. 4 in. 711 mm	2 ft. 4 in. 711 mm
G Height From Ground To Top Of Cab (Not Tilted)	11 ft. 2 in. 3,39 m	12 ft. 2 in. 3,69 m	12 ft. 2 in. 3,69 m
H Height From Ground To Bottom Of CWT (CWT Swing Clearance)	3 ft. 6 in. 1 056 mm	4 ft. 6 in. 1 373 mm	4 ft. 6 in. 1 373 mm

ROAD BUILDER/HARVESTER



GROUND PRESSURE DATA

Average Ground Pressure With Standard Undercarriage

And 28-in. 711 mm Double-Bar Grouser Shoes.....6.5 psi 44.8 kPa

OPERATING WEIGHT (LESS BUCKET)

Operating Weight With 94-in. 2 388 mm Gauge Undercarriage, Standard.....54,200 lb. 24 585 kg

Operating Weight With 110-in. 2 794 mm Gauge Undercarriage, Optional.....57,500 lb. 26 080 kg

JOHN DEERE 2054 OPERATING INFORMATION/WORK ENVELOPE — ROAD BUILDER/HARVESTER

DIMENSIONS

Lifting Capacity Over Front

@ Ground Level 20-ft. 6,1 m Reach* 26,160 lb. 7 330 kg

A Maximum Reach @ Ground Level..... 32 ft. 6 in. 9,91 m

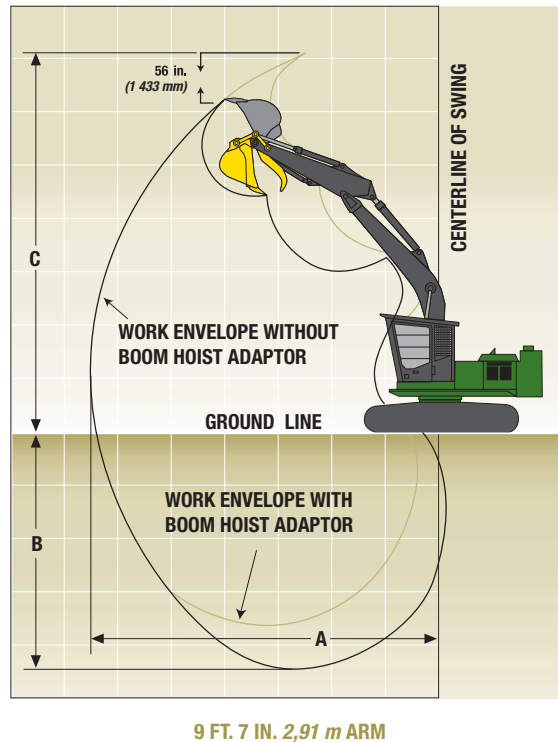
Without Lift Adaptors

With Lift Adaptors

B Maximum Depth Below Ground..... 21 ft. 11 in. 6,68 m 17 ft. 3 in. 5,26 m

C Maximum Height..... 31 ft. 6 in. 9,60 m 36 ft. 2 in. 11,02 m

*Maximum lift force with Power Boost, grapple not included.



2054 LIFT CAPACITIES — ROAD BUILDER/HARVESTER

Boldface italic type indicates hydraulic-limited capacities with Power Boost on; lightface type indicates stability-limited capacities, in lb. (kg). Machine situated on firm, uniform supporting surface. Total load includes weight of cables, hook, etc. Figures do not exceed 87 percent of hydraulic capacities or 75 percent of weight needed to tip machine.

With 9 ft. 6 in. (2,9 m) arm, 7 ft. 10 in. (2,4 m) GA U/C with 28-in. (711 mm) shoes. Lift capacities in 1,000 lb. (1 000 kg).

Load Point Height	10 ft. (3,05 m)		15 ft. (4,57 m)		20 ft. (6,10 m)		25 ft. (7,62 m)	
	Over Front	Over Side	Over Front	Over Side	Over Front	Over Side	Over Front	Over Side
20 ft. (6,10 m)					9.11 (4,13)	9.11 (4,13)		
15 ft. (4,57 m)					10.28 (4,66)	10.28 (4,66)	10.12 (4,59)	8.49 (3,85)
10 ft. (3,05 m)			15.10 (6,85)	15.10 (6,85)	12.22 (5,54)	11.39 (5,17)	10.95 (4,97)	8.26 (3,75)
5 ft. (1,52 m)			19.95 (9,05)	15.90 (7,21)	14.50 (6,58)	10.80 (4,90)	12.04 (5,46)	7.97 (3,61)
Ground Line			22.81 (10,34)	15.16 (6,88)	16.16 (7,33)	10.35 (4,78)	11.77 (5,34)	7.73 (3,51)
-5 ft. (-1,52 m)	15.11 (6,85)	15.11 (6,85)	23.44 (10,63)	14.94 (6,78)	15.91 (7,22)	10.12 (4,59)	11.62 (5,27)	7.60 (3,45)
-10 ft. (-3,05 m)	26.28 (11,92)	26.28 (11,92)	22.44 (10,18)	15.01 (6,81)	15.90 (7,21)	10.11 (4,59)	11.67 (5,29)	7.64 (3,46)
-15 ft. (-4,57 m)	26.32 (11,94)	26.32 (11,94)	19.52 (8,85)	15.34 (6,96)	14.54 (6,59)		10.36 (4,70)	

NOTES: Lift capacity ratings are based on SAE Standard J1097. Capacities shown are 87 percent in hydraulic or 75 percent in stability over front and side.

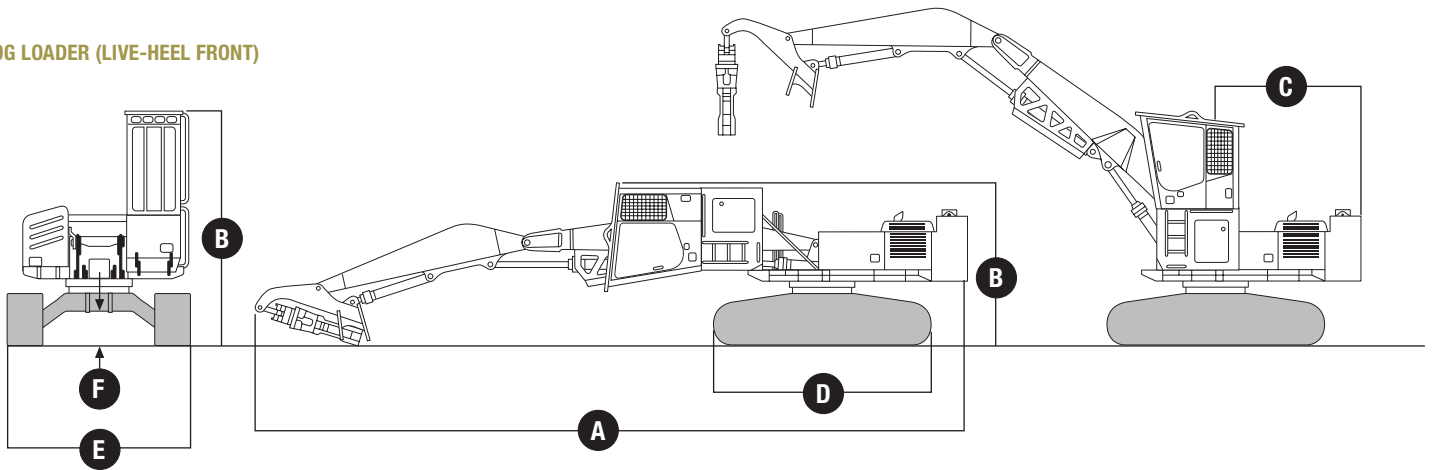
*Hydraulic limited capacities with Power Boost. Lifting point is at the heel of grapple pin.

JOHN DEERE 2054 LOG LOADER

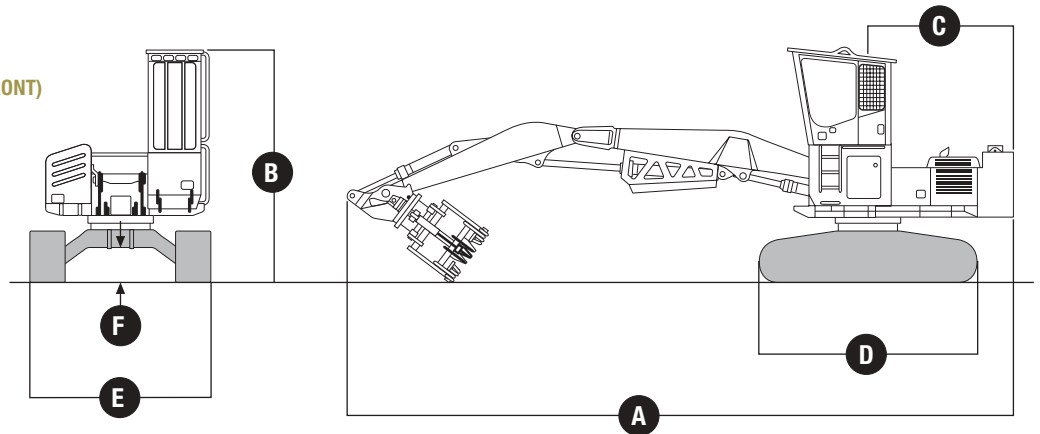
DIMENSIONS

	Live-Heel Front 115-in. Gauge	Articulating Grapple (BNT) Front 110-in. Gauge
A Shipping Length.....	45 ft. 0 in. 13,72 m	46 ft. 5 in. 14,08 m
B With 48-in. 1 219 mm Riser		
Operating Position.....	15 ft. 5 in. 4,71 m	15 ft. 5 in. 4,71 m
Transport Position.....	10 ft. 10 in. 3,31 m	10 ft. 10 in. 3,31 m
C Tail Swing.....	9 ft. 10 in. 3,00 m	9 ft. 10 in. 3,00 m
D Overall Track Length.....	14 ft. 8 in. 4,46 m	14 ft. 8 in. 4,46 m
E With 28-in. 711 mm		
Double-Bar Grouser Shoes.....	11 ft. 11 in. 3,63 m	11 ft. 6 in. 3,50 m
F Ground Clearance.....	2 ft. 4 in. 711 mm	2 ft. 4 in. 711 mm

LOG LOADER (LIVE-HEEL FRONT)



LOG LOADER (ARTICULATING GRAPPLE [BNT] FRONT)



GROUND PRESSURE DATA

Average Ground Pressure With 9 ft. 7 in. 2,92 m Undercarriage
and 28-in. 711 mm Double-Bar Grouser Shoes.....

8.4 psi 57.9 kPa

OPERATING WEIGHT (LESS GRAPPLE)

Live-Heel Front.....

69,187 lb. 31 383 kg

Articulated Grapple Front.....

68,187 lb. 30 929 kg

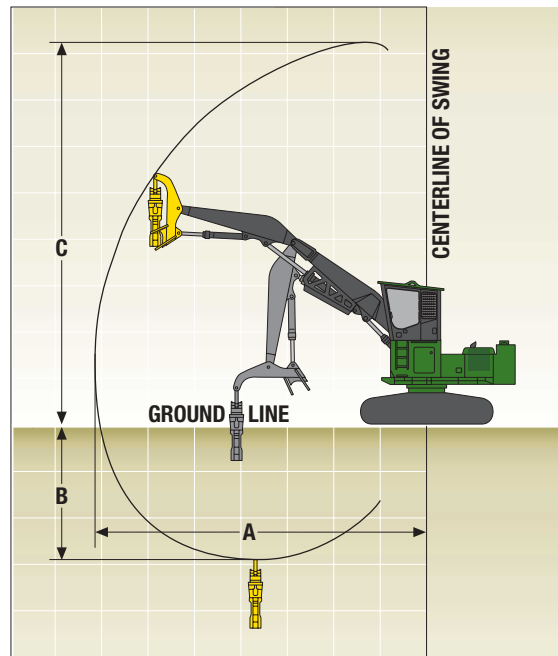
TECHNICAL DATA 2054 SWING MACHINE

JOHN DEERE 2054 OPERATING INFORMATION/WORK ENVELOPES — LOG LOADER

DIMENSIONS

	Live-Heel Front Length	Articulating Grapple (BNT) Front Length
Lifting Capacity Over Front		
@ Ground Level 20-ft. 6,1 m Reach*.....	21,100 lb. 8 346 kg	21,400 lb. 9 700 kg
A Maximum Reach @ Ground Level.....	36 ft. 0 in. 11,0 m	34 ft. 0 in. 10,36 m
B Maximum Depth Below Ground.....	21 ft. 3 in. 6,48 m	19 ft. 3 in. 5,86 m
C Maximum Height.....	41 ft. 3 in. 12,57 m	39 ft. 3 in. 11,96 m

*Maximum lift force with Power Boost, grapple not included.



LIVE-HEEL FRONT WORK ENVELOPE

2054 LIFT CAPACITIES — LOG LOADER LIVE-HEEL FRONT 115-IN. (2 921 mm) GAUGE

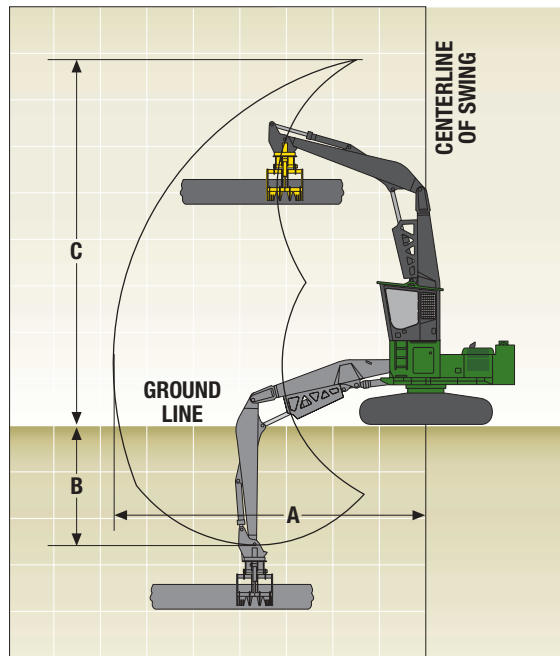
Boldface italic type indicates hydraulic-limited capacities with Power Boost on; lightface type indicates stability-limited capacities, in lb. (kg). Machine situated on firm, uniform supporting surface. Total load includes weight of cables, hook, etc. Figures do not exceed 87 percent of hydraulic capacities or 75 percent of weight needed to tip machine.

With 9 ft. 7 in. (2,92 m) GA. with 28-in. (711 mm) shoes. Lift capacities in 1,000 lb. (1 000 kg).

Load Point Height	15 ft. (4,57 m)		20 ft. (6,10 m)		25 ft. (7,62 m)		30 ft. (9,14 m)		35 ft. (10,67 m)	
	Over Front	Over Side	Over Front	Over Side	Over Front	Over Side	Over Front	Over Side	Over Front	Over Side
35 ft. (10,67 m)	20.2 (9,2)	20.2 (9,2)	18.0 (8,3)	17.6 (8,0)						
30 ft. (9,14 m)			16.1 (7,3)	16.1 (7,3)	15.0 (6,8)	12.3 (5,6)				
25 ft. (7,62 m)			15.7 (7,1)	15.7 (7,1)	14.3 (6,5)	12.9 (5,9)	11.5 (5,2)	9.3 (4,2)		
20 ft. (6,10 m)			16.3 (7,4)	16.3 (7,4)	14.5 (6,6)	13.0 (5,9)	11.6 (5,3)	9.3 (4,2)		
15 ft. (4,57 m)			17.7 (8,0)	17.7 (8,0)	15.2 (6,9)	12.9 (5,9)	11.6 (5,3)	9.4 (4,3)		
10 ft. (3,05 m)			19.4 (8,8)	18.1 (8,2)	15.6 (7,1)	12.6 (5,7)	11.6 (5,3)	9.4 (4,3)	9.1 (4,1)	7.3 (3,3)
5 ft. (1,52 m)			21.0 (9,5)	17.4 (7,9)	15.2 (6,9)	12.3 (5,6)	11.5 (5,2)	9.4 (4,3)	9.0 (4,1)	7.2 (3,3)
Ground Line			21.1 (9,6)	16.8 (7,6)	15.0 (6,8)	12.0 (5,4)	11.3 (5,1)	8.9 (4,0)	9.0 (4,1)	7.2 (3,3)
-5 ft. (-1,52 m)			20.0 (9,1)	16.4 (7,4)	14.7 (6,7)	11.8 (5,4)	11.2 (5,4)	9.0 (4,1)		
-10 ft. (-3,05 m)			16.4 (7,4)	16.3 (7,4)	12.5 (5,7)	11.7 (5,3)	8.2 (3,7)	8.2 (4,3)		

NOTES: Lift capacity ratings are based on SAE Standard J2417. Capacities shown are 87 percent in hydraulic or 75 percent in stability over front and side.

*Hydraulic limited capacities with Power Boost. Lifting point is at the heel of grapple pin.



ARTICULATING GRAPPLE (BNT) FRONT WORK ENVELOPE

2054 LIFT CAPACITIES — LOG LOADER ARTICULATING GRAPPLE (BNT) FRONT

Boldface italic type indicates hydraulic-limited capacities with Power Boost on; lightface type indicates stability-limited capacities, in lb. (kg). Machine situated on firm, uniform supporting surface. Total load includes weight of cables, hook, etc. Figures do not exceed 87 percent of hydraulic capacities or 75 percent of weight needed to tip machine.

With 9 ft. 7 in. (2,92 m) GA. with 28-in. (711 mm) shoes. Lift capacities in 1,000 lb. (1 000 kg).

Load Point Height	15 ft. (4,57 m)		20 ft. (6,10 m)		25 ft. (7,62 m)		30 ft. (9,14 m)	
	Over Front	Over Side	Over Front	Over Side	Over Front	Over Side	Over Front	Over Side
35 ft. (10,67 m)	21.5 (9,8)	21.5 (9,8)						
30 ft. (9,14 m)			17.2 (7,8)	17.2 (7,8)				
25 ft. (7,62 m)			16.6 (7,5)	16.6 (7,5)	15.4 (7,0)	13.8 (6,3)		
20 ft. (6,10 m)			17.1 (7,8)	17.0 (7,8)	15.4 (7,0)	13.8 (6,3)	12.5 (5,7)	10.3 (4,7)
15 ft. (4,57 m)	21.5 (9,8)	21.5 (9,8)	18.3 (8,3)	18.3 (8,3)	15.9 (7,2)	13.6 (6,2)	12.4 (5,6)	10.2 (4,6)
10 ft. (3,05 m)			20.0 (9,1)	18.5 (8,4)	16.2 (7,3)	13.2 (6,0)	12.2 (5,5)	10.0 (4,5)
5 ft. (1,52 m)			21.4 (9,7)	17.8 (8,1)	15.7 (7,1)	12.8 (5,8)	12.0 (5,4)	9.8 (4,4)
Ground Line	29.8 (13,5)	26.2 (11,9)	21.4 (9,7)	17.1 (7,8)	15.4 (7,0)	12.5 (5,7)	11.9 (5,4)	9.7 (4,4)
-5 ft. (-1,52 m)	27.7 (12,6)	25.6 (11,6)	20.5 (9,3)	16.7 (7,6)	15.2 (6,9)	12.3 (5,6)	11.2 (5,1)	9.6 (4,4)
-10 ft. (-3,05 m)	22.5 (10,2)	22.5 (10,2)	16.9 (7,7)	16.6 (7,5)	12.3 (5,6)	12.2 (5,5)		

NOTES: Lift capacity ratings are based on SAE Standard J2417. Capacities shown are 87 percent in hydraulic or 75 percent in stability over front and side.

*Hydraulic limited capacities with Power Boost. Lifting point is at the heel to grapple pin.

TECHNICAL DATA 2554 SWING MACHINE

ENGINE

Type	John Deere 6068H air cooler, Tier II EPA off-road emission compliant
Rated Power	177 SAE net hp <i>132 kW</i>
Displacement	414 cu. in. <i>6,8 L</i>
Maximum Net Torque.....	540 lbf. <i>723 Nm</i>
Fuel Consumption, Typical	5.0 to 7.5 gal./hr. <i>19,0 to 28,0 L/hr.</i>
Electrical System	24 volt with 45-amp alternator
Batteries (Two 12 Volt)	Reserve capacity: 180 min.

HYDRAULIC SYSTEM

Main Pumps	Two variable-displacement axial-piston	
Maximum Flow	2 x 57.9 gpm <i>2 x 219 L/min.</i>	
System Operating Pressure		
Implement Circuits.....	4,980 psi <i>34 336 kPa</i>	
Travel Circuits	4,980 psi <i>34 336 kPa</i>	
Swing Circuits.....	4,270 psi <i>29 441 kPa</i>	
Power Boost	5,270 psi <i>36 336 kPa</i>	
Oil Filtration	One 10-micron full-flow return filter with by-pass/One pilot oil filter/One suction filter	

SWING MECHANISM

	Road Builder	Log Loader
Swing Speed	0–12.6 rpm	0–10.6 rpm
Swing Torque.....	51,600 lbf. <i>70 013 Nm</i>	79,500 lbf. <i>107 869 Nm</i>

UNDERCARRIAGE

	Standard	High Drawbar
Travel Speed		
Maximum	0–3.4 mph <i>0–5.5 kph</i>	0–3.0 mph <i>0–4.9 kph</i>
Drawbar Pull.....	44,420 lb. <i>20 150 kg</i>	56,074 lb. <i>25 435 kg</i>

CAPACITIES

	Standard	High Drawbar
Fuel Tank	269 gal. <i>1 018 L</i>	269 gal. <i>1 018 L</i>
Cooling System.....	25 qt. <i>23,5 L</i>	25 qt. <i>23,5 L</i>
Engine Lubrication, Including Filter	20 qt. <i>19 L</i>	20 qt. <i>19 L</i>
Hydraulic Tank	34 gal. <i>130 L</i>	34 gal. <i>130 L</i>
Propel Gearbox (Each).....	5.5 qt. <i>5,2 L</i>	8.0 qt. <i>7,6 L</i>
Swing Drive	5.0 qt. <i>4,7 L</i>	8.0 qt. <i>7,6 L</i>

2554 DELIMBER CARRIER

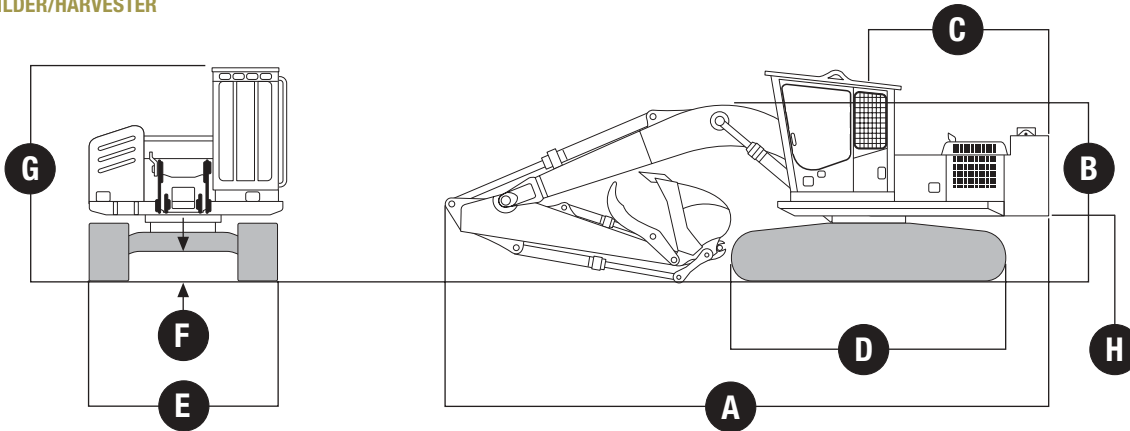
	Standard	High Drawbar
Operating Weight (Less Bucket)	55,600 lb. <i>25 220 kg</i>	60,600 lb. <i>27 488 kg</i>

JOHN DEERE 2554 ROAD BUILDER/HARVESTER

DIMENSIONS

	Standard	High Drawbar	High and Wide
A Shipping Length			
With 9 ft. 9 in. <i>2,96 m</i> Arm	34 ft. 0 in. <i>10,36 m</i>		
With 10 ft. 2 in. <i>3,10 m</i> Arm		34 ft. 5 in. <i>10,49 m</i>	34 ft. 5 in. <i>10,49 m</i>
B Boom Height			
With 9 ft. 9 in. <i>2,96 m</i> Arm	10 ft. 11 in. <i>3,30 m</i>		
With 10 ft. 2 in. <i>3,10 m</i> Arm		11 ft. 5 in. <i>3,48 m</i>	11 ft. 5 in. <i>3,48 m</i>
C Tail Swing	10 ft. 8 in. <i>3,25 m</i>	10 ft. 8 in. <i>3,25 m</i>	10 ft. 8 in. <i>3,25 m</i>
D Overall Track Length	15 ft. 4 in. <i>4,68 m</i>	15 ft. 4 in. <i>4,68 m</i>	15 ft. 4 in. <i>4,68 m</i>
E With 28-in. <i>711 mm</i>			
Double-Bar Grouser Shoes	11 ft. 3 in. <i>3,43 m</i>	11 ft. 3 in. <i>3,43 m</i>	11 ft. 11 in. <i>3,63 m</i>
F Ground Clearance	2 ft. 0 in. <i>610 mm</i>	2 ft. 4 in. <i>711 mm</i>	2 ft. 4 in. <i>711 mm</i>
G Height From Ground To Top Of Cab (Not Tilted)	12 ft. 0 in. <i>3,63 m</i>	12 ft. 5 in. <i>3,78 m</i>	12 ft. 5 in. <i>3,78 m</i>
H Height From Ground To Bottom Of CWT (CWT Swing Clearance)	4 ft. 4 in. <i>1 321 mm</i>	4 ft. 9 in. <i>1 450 mm</i>	4 ft. 9 in. <i>1 450 mm</i>

ROAD BUILDER/HARVESTER



GROUND PRESSURE DATA

	Standard	High Drawbar
Average Ground Pressure With Standard Undercarriage		
And 28-in. <i>711 mm</i> Double-Bar Grouser Shoes.....	7.1 psi <i>49.0 kPa</i>	
With High-Drawbar Undercarriage		
And 10 ft. 2 in. <i>3,10 m</i> Arm		8.0 psi <i>55.2 kPa</i>

OPERATING WEIGHT

	Standard	High Drawbar
Less Bucket	64,500 lb. <i>29 257 kg</i>	71,600 lb. <i>32 472 kg</i>

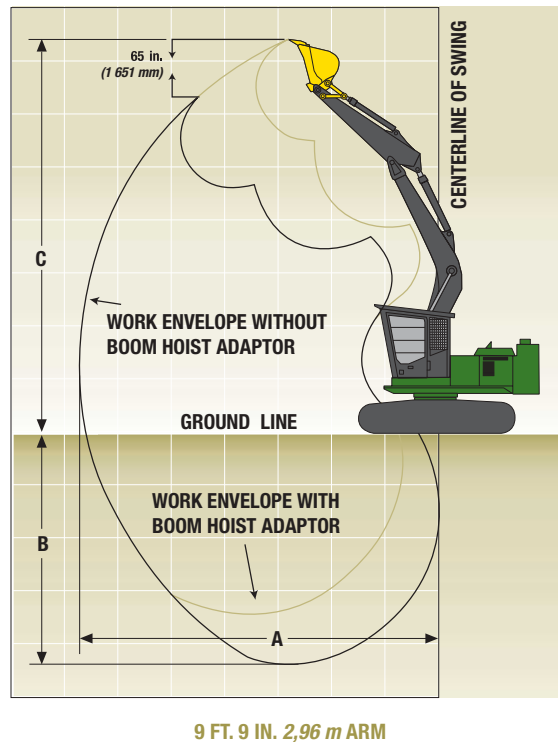
TECHNICAL DATA 2554 SWING MACHINE

JOHN DEERE 2554 OPERATING INFORMATION/WORK ENVELOPES — ROAD BUILDER/HARVESTER

DIMENSIONS

	9 ft. 9 in. <i>2,96 m</i> Arm	10 ft. 2 in. <i>3,10 m</i> Arm		
Lifting Capacity Over Front @ Ground Level 20-ft. <i>6,1 m</i> Reach*	19,400 lb. <i>8 800 kg</i>	22,640 lb. <i>10 570 kg</i>		
A Maximum Reach @ Ground Level	33 ft. 8 in. <i>10,26 m</i>	35 ft. 2 in. <i>10,71 m</i>		
B Maximum Depth Below Ground	Without Lift Adaptors 22 ft. 0 in. <i>6,70 m</i>	With Lift Adaptors 18 ft. 3 in. <i>5,56 m</i>	Without Lift Adaptors 23 ft. 1 in. <i>7,03 m</i>	With Lift Adaptors 17 ft. 4 in. <i>5,28 m</i>
C Maximum Height	32 ft. 5 in. <i>9,88 m</i>	37 ft. 5 in. <i>11,40 m</i>	34 ft. 6 in. <i>10,51 m</i>	40 ft. 3 in. <i>12,27 m</i>

*Maximum lift force with Power Boost, grapple not included.



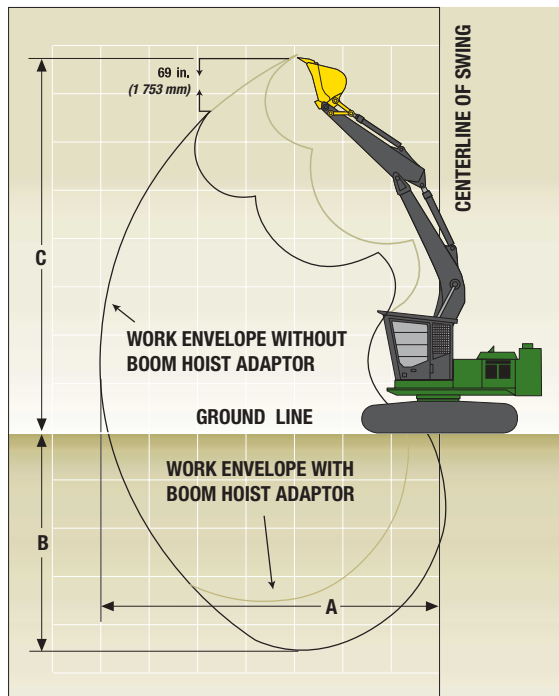
2554 LIFT CAPACITIES — ROAD BUILDER/HARVESTER (230 FRONT)

Boldface italic type indicates hydraulic-limited capacities with Power Boost on; lightface type indicates stability-limited capacities, in lb. (kg). Machine situated on firm, uniform supporting surface. Total load includes weight of cables, hook, etc. Figures do not exceed 87 percent of hydraulic capacities or 75 percent of weight needed to tip machine.

With 9 ft. 9 in. (2,96 m) arm, 8 ft. 10 in. (2,7 m) GA U/C with 28-in. (711 mm) shoes. Lift in 1,000 lb. (1 000 kg).

Load Point Height	10 ft. (3,05 m)		15 ft. (4,57 m)		20 ft. (6,10 m)		25 ft. (7,62 m)		30 ft. (9,14 m)	
	Over Front	Over Side	Over Front	Over Side	Over Front	Over Side	Over Front	Over Side	Over Front	Over Side
20 ft. (6,10 m)							*9.97 (4,52)	*9.97 (4,52)		
15 ft. (4,57 m)					*12.12 (5,50)	*12.12 (5,50)	*11.53 (5,23)	10.54 (4,78)		
10 ft. (3,05 m)			*18.97 (8,60)	*18.97 (8,60)	*14.63 (6,60)	14.04 (6,50)	12.72 (5,77)	10.15 (4,60)	*8.80 (4,00)	7.69 (3,49)
5 ft. (1,52 m)			*24.67 (11,20)	19.38 (8,80)	*17.36 (7,90)	13.18 (6,00)	*14.15 (6,42)	9.71 (4,40)	*10.84 (4,92)	7.50 (3,40)
Ground Line			*27.35 (12,40)	18.52 (8,40)	*19.40 (8,80)	12.56 (5,70)	14.07 (6,38)	9.36 (4,24)	*10.80 (4,90)	7.33 (3,32)
-5 ft. (-1,52 m)	*14.69 (6,70)	*14.69 (6,70)	*27.56 (12,50)	18.34 (8,30)	19.08 (8,65)	12.27 (5,56)	13.85 (6,28)	9.16 (4,15)		
-10 ft. (-3,05 m)	*22.49 (10,20)	*22.49 (10,20)	*26.21 (11,90)	18.48 (8,40)	19.07 (8,65)	12.26 (5,56)	13.87 (6,29)	9.18 (4,16)		
-15 ft. (-4,57 m)	*30.39 (13,78)	*30.39 (13,78)	*23.00 (10,40)	18.91 (8,60)	*17.57 (7,97)	12.55 (5,69)				

NOTES: Lift capacity ratings are based on SAE Standard J2417. Capacities shown are 87 percent in hydraulic or 75 percent in stability over front and side.
*Hydraulic limited capacities with Power Boost. Lifting point is at the heel of grapple pin.



10 FT. 2 IN. 3,10 m ARM

2554 LIFT CAPACITIES — ROAD BUILDER/HARVESTER (270 FRONT)

Boldface italic type indicates hydraulic-limited capacities with Power Boost on; lightface type indicates stability-limited capacities, in lb. (kg). Machine situated on firm, uniform supporting surface. Total load includes weight of cables, hook, etc. Figures do not exceed 87 percent of hydraulic capacities or 75 percent of weight needed to tip machine.

With 10 ft. 2 in. (3,10 m) arm, 8 ft. 10 in. (2,7 m) GA U/C with 28-in. (711 mm) shoes. Lift in 1,000 lb. (1 000 kg).

Load Point Height	10 ft. (3,05 m)		15 ft. (4,57 m)		20 ft. (6,10 m)		25 ft. (7,62 m)		30 ft. (9,14 m)	
	Over Front	Over Side	Over Front	Over Side	Over Front	Over Side	Over Front	Over Side	Over Front	Over Side
20 ft. (6,10 m)							12.00 (5,44)	12.00 (5,44)		
15 ft. (4,57 m)							12.84 (5,82)	12.24 (5,55)	9.01 (4,09)	9.01 (4,09)
10 ft. (3,05 m)			21.99 (9,97)	21.99 (9,97)	16.70 (7,57)	16.19 (7,34)	14.44 (6,55)	11.77 (5,34)	12.73 (5,77)	8.99 (4,08)
5 ft. (1,52 m)			28.94 (13,12)	22.32 (10,12)	20.19 (9,11)	15.22 (6,90)	16.28 (7,38)	11.27 (5,11)	13.57 (6,15)	8.74 (3,96)
Ground Line			26.27 (11,91)	21.44 (9,97)	22.64 (10,57)	14.54 (6,59)	17.24 (7,82)	10.86 (4,93)	13.34 (6,05)	8.53 (3,87)
-5 ft. (-1,52 m)	13.72 (6,22)	13.72 (6,22)	32.59 (16,14)	21.27 (9,65)	23.51 (10,66)	14.23 (6,45)	16.98 (7,70)	10.63 (4,82)	12.81 (5,81)	8.44 (3,83)
-10 ft. (-3,05 m)	24.08 (10,92)	24.08 (10,92)	31.40 (14,24)	21.42 (9,71)	23.49 (10,65)	14.21 (6,44)	16.96 (7,57)	10.62 (4,82)		
-15 ft. (-4,57 m)	36.46 (16,54)	36.46 (16,54)	28.34 (12,85)	21.85 (9,91)	21.74 (9,86)	14.48 (6,57)				
-20 ft. (-6,10 m)			21.69 (9,84)	21.69 (9,84)						

NOTES: Lift capacity ratings are based on SAE Standard J1097. Capacities shown are 87 percent in hydraulic or 75 percent in stability over front and side.

*Hydraulic limited capacities with Power Boost. Lifting point is at the heel to grapple pin.

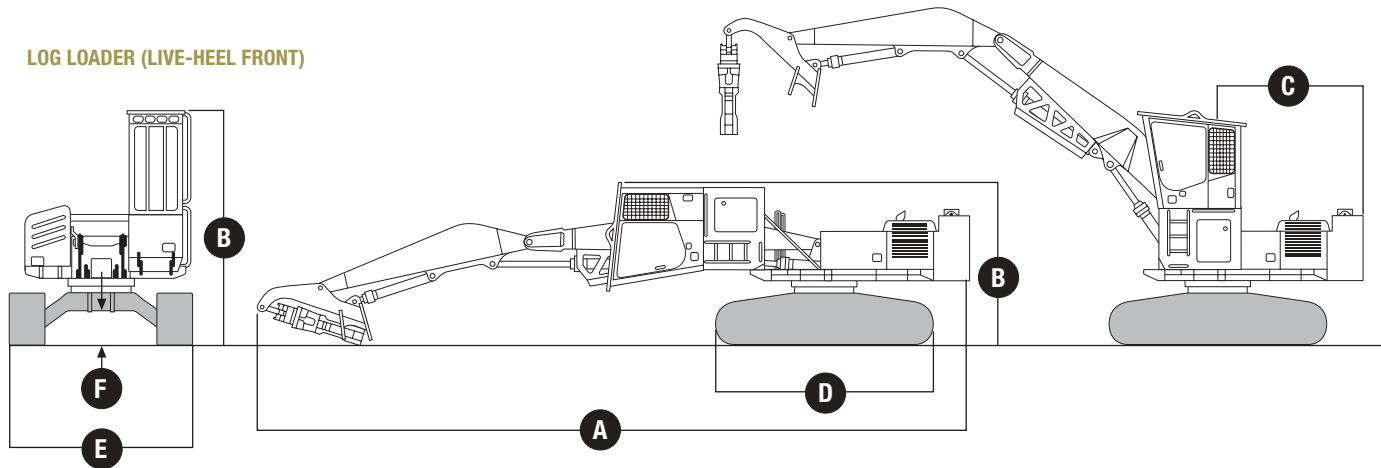
TECHNICAL DATA 2554 SWING MACHINE

JOHN DEERE 2554 LOG LOADER

DIMENSIONS

	Standard	High Drawbar	High and Wide
A Shipping Length.....	46 ft. 2 in. 14,07 m	50 ft. 7 in. 15,42 m	
B With 7-in. 178 mm Riser.....	12 ft. 5 in. 3,78 m		
With 48-in. 1 219 mm Riser			
Operating Position.....		15 ft. 10 in. 4,83 m	
Transport Position.....		11 ft. 3 in. 3,43 m	
C Tail Swing.....	10 ft. 8 in. 3,25 m	10 ft. 8 in. 3,25 m	
D Overall Track Length.....	16 ft. 6 in. 5,03 m	16 ft. 6 in. 5,03 m	
E With 28-in. 711 mm Double-Bar Grouser Shoes.....			11 ft. 11 in. 3,63 m
With 34-in. 864 mm Triple Grouser Pads.....	11 ft. 9 in. 3,58 m		
F Ground Clearance.....	2 ft. 4 in. 711 mm	2 ft. 4 in. 711 mm	

LOG LOADER (LIVE-HEEL FRONT)



GROUND PRESSURE DATA

	Standard	High Drawbar
Average Ground Pressure With 9 ft. 7 in. 2,92 m Undercarriage and 28-in. 711 mm Double-Bar Grouser Shoes.....		9.5 psi 65.5 kPa

OPERATING WEIGHT (LESS GRAPPLE)

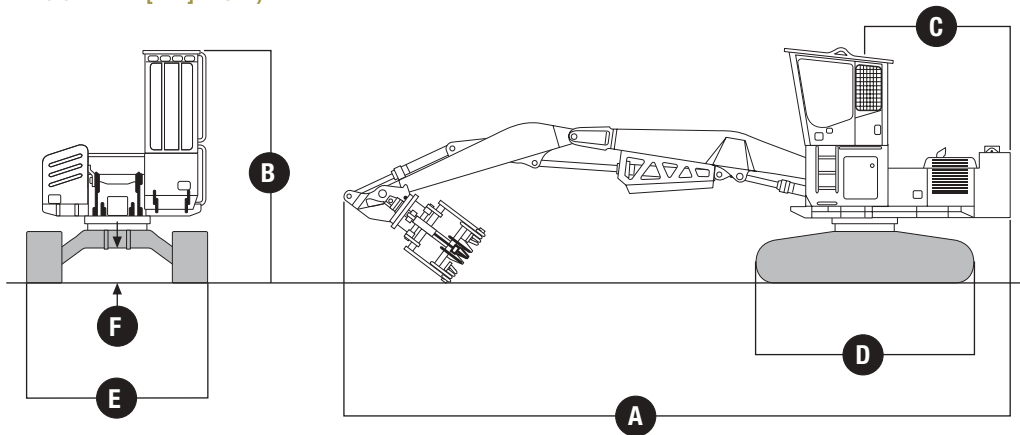
	Standard	High Drawbar
Live-Heel Front.....		83,370 lb. 37 816 kg
Butt-n-Top Grapple Front.....		81,510 lb. 36 972 kg
Swamp Shovel Front.....		72,500 lb. 32 885 kg

JOHN DEERE 2554 LOG LOADER ARTICULATING GRAPPLE (BNT) FRONT

DIMENSIONS

	Standard	High Drawbar	High and Wide
A Shipping Length.....			48 ft. 2 in. 14,68 m
B With 48-in. 1 219 mm Riser			
Operating Position.....			15 ft. 10 in. 4,83 m
Transport Position.....			11 ft. 3 in. 3,43 m
C Tail Swing.....			10 ft. 8 in. 3,25 m
D Overall Track Length.....			16 ft. 6 in. 5,03 m
E With 28-in. 711 mm			
Double-Bar Grouser Shoes.....			11 ft. 11 in. 3,63 m
F Ground Clearance.....			2 ft. 4 in. 711 mm

LOG LOADER (ARTICULATING GRAPPLE [BNT] FRONT)



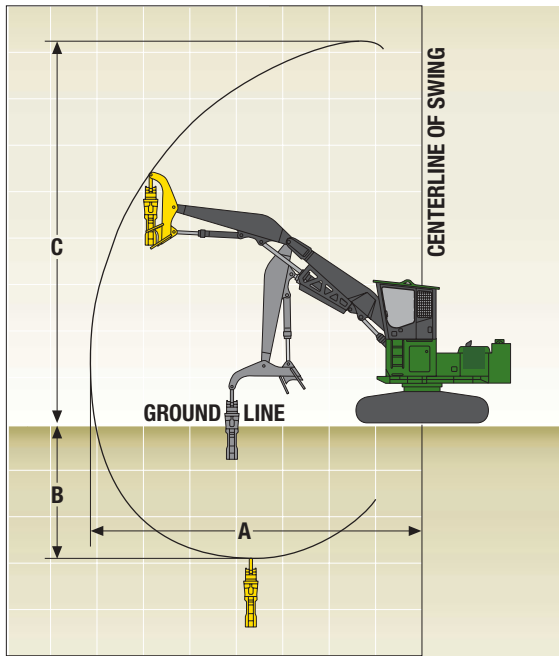
TECHNICAL DATA 2554 SWING MACHINE

JOHN DEERE 2554 LOG LOADER

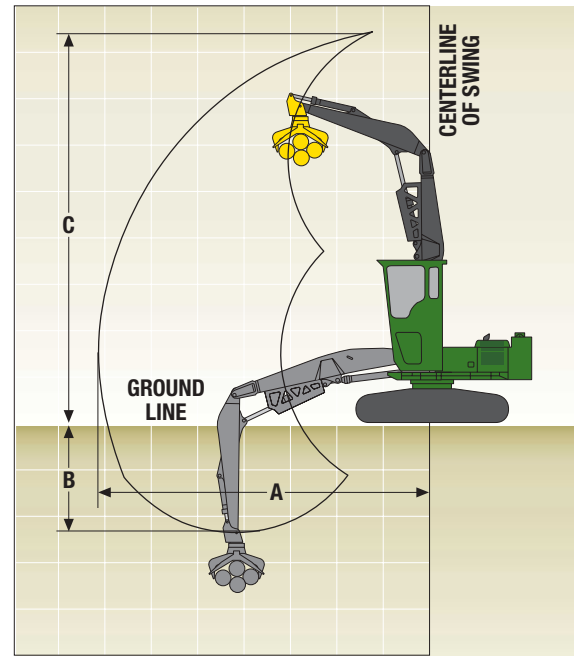
DIMENSIONS

	Live-Heel Front Length	Swamp Logger Heeler Type	Articulating Grapple (BNT) Front Length
Lifting Capacity Over Front			
© Ground Level 20-ft. 6,1 m Reach*	28,400 lb. 12 900 kg	23,900 lb. 10 800 kg	29,500 lb. 13 400 kg
A Maximum Reach @ Ground Level	40 ft. 0 in. 12,19 m	36 ft. 7 in. 11,15 m	36 ft. 0 in. 10,97 m
B Maximum Depth Below Ground	17 ft. 0 in. 5,18 m	15 ft. 7 in. 4,57 m	17 ft. 0 in. 5,18 m
C Maximum Height	46 ft. 5 in. 14,15 m	43 ft. 6 in. 13,26 m	42 ft. 0 in. 12,92 m

*Maximum lift force with Power Boost, grapple not included.



LIVE-HEEL FRONT WORK ENVELOPE



ARTICULATING GRAPPLE (BNT) FRONT WORK ENVELOPE

2554 LIFT CAPACITIES — LOG LOADER (LIVE-HEEL FRONT)

Boldface italic type indicates hydraulic-limited capacities with Power Boost on; lightface type indicates stability-limited capacities, in lb. (kg). Machine situated on firm, uniform supporting surface. Total load includes weight of cables, hook, etc. Figures do not exceed 87 percent of hydraulic capacities or 75 percent of weight needed to tip machine.

With 9 ft. 7 in. (2,92 m) GA U/C. with 28-in. (711 mm) shoes. Lift in 1,000 lb. (1 000 kg).

Load Point Height	15 ft. (4,57 m)		20 ft. (6,10 m)		25 ft. (7,62 m)		30 ft. (9,14 m)		35 ft. (10,67 m)		40 ft. (12,19 m)	
	Over Front	Over Side	Over Front	Over Side	Over Front	Over Side	Over Front	Over Side	Over Front	Over Side	Over Front	Over Side
40 ft. (12,19 m)	23.2 (10,5)	23.2 (10,5)	17.3 (7,8)	17.3 (7,8)								
35 ft. (10,67 m)			20.1 (9,1)	20.1 (9,1)	16.1 (7,3)	16.1 (7,3)						
30 ft. (9,14 m)			19.5 (8,8)	19.5 (8,8)	18.3 (8,3)	18.1 (8,2)	14.4 (6,5)	13.4 (6,0)				
25 ft. (7,62 m)			18.1 (8,2)	18.1 (8,2)	18.3 (8,3)	18.3 (8,3)	16.4 (7,4)	13.2 (5,9)	11.4 (5,0)	10.4 (4,7)		
20 ft. (6,10 m)			20.5 (9,2)	20.5 (9,2)	19.0 (8,6)	18.3 (8,3)	16.7 (7,5)	13.3 (6,0)	14.1 (6,3)	10.2 (4,6)		
15 ft. (4,57 m)			17.0 (7,7)	17.0 (7,7)	20.1 (9,1)	17.9 (8,1)	17.1 (7,7)	13.1 (5,9)	14.1 (6,3)	10.2 (4,6)		
10 ft. (3,05 m)			18.2 (8,2)	18.2 (8,2)	21.2 (9,6)	17.4 (7,8)	17.6 (7,9)	12.9 (5,8)	14.0 (6,3)	10.2 (4,6)	9.8 (4,4)	8.0 (3,6)
5 ft. (1,52 m)			27.5 (12,4)	24.1 (10,9)	22.0 (9,97)	16.8 (7,62)	17.6 (7,9)	12.7 (5,7)	13.8 (6,2)	10.0 (4,6)	11.1 (5,0)	7.9 (3,6)
Ground Line			28.4 (12,8)	22.8 (10,3)	21.9 (9,9)	16.4 (7,4)	17.3 (7,8)	12.4 (5,6)	13.6 (6,1)	9.7 (4,3)		
-5 ft. (-1,52 m)			26.7 (12,1)	22.1 (10,0)	20.9 (9,4)	15.9 (7,2)	16.5 (7,4)	12.1 (5,4)	12.5 (5,6)	9.6 (4,3)		
-10 ft. (-3,05 m)			22.6 (10,2)	21.9 (9,93)	18.0 (8,1)	15.7 (7,1)	13.9 (6,3)	12.0 (5,4)	9.4 (4,2)	9.4 (4,2)		
-15 ft. (-4,57 m)					13.1 (5,9)	13.1 (5,9)						

NOTES: Lift capacity ratings are based on SAE Standard J1097. Capacities shown are 87 percent in hydraulic or 75 percent in stability over front and side.

*Hydraulic limited capacities with Power Boost. Lifting point is at the heel of grapple pin.

2554 LIFT CAPACITIES — LOG LOADER ARTICULATING GRAPPLE (BNT) FRONT

Boldface italic type indicates hydraulic-limited capacities with Power Boost on; lightface type indicates stability-limited capacities, in lb. (kg). Machine situated on firm, uniform supporting surface. Total load includes weight of cables, hook, etc. Figures do not exceed 87 percent of hydraulic capacities or 75 percent of weight needed to tip machine.

With 9 ft. 7 in. (2,92 m) GA U/C. with 28-in. (711 mm) shoes. Lift in 1,000 lb. (1 000 kg).

Load Point Height	15 ft. (4,57 m)		20 ft. (6,10 m)		25 ft. (7,62 m)		30 ft. (9,14 m)		35 ft. (10,67 m)	
	Over Front	Over Side	Over Front	Over Side	Over Front	Over Side	Over Front	Over Side	Over Front	Over Side
35 ft. (10,67 m)	24.1 (10,0)	24.1 (10,0)	20.4 (9,2)	20.4 (9,2)						
30 ft. (9,14 m)			22.6 (10,0)	22.6 (10,0)	19.0 (8,6)	19.0 (8,6)				
25 ft. (7,62 m)			23.4 (10,0)	23.4 (10,0)	21.0 (9,5)	19.6 (8,8)	16.2 (7,3)	14.5 (6,5)		
20 ft. (6,10 m)	22.5 (10,0)	22.5 (10,0)	24.5 (11,0)	24.5 (11,0)	21.4 (9,7)	19.4 (8,7)	19.0 (8,6)	14.6 (6,6)		
15 ft. (4,57 m)	26.0 (11,0)	26.0 (11,0)	26.4 (11,0)	26.4 (11,0)	22.3 (10,0)	19.0 (8,6)	19.2 (8,7)	14.4 (6,5)		
10 ft. (3,05 m)			28.6 (12,0)	25.5 (12,0)	23.2 (10,0)	18.4 (8,3)	18.9 (8,5)	14.1 (6,3)	15.0 (6,8)	11.2 (5,0)
5 ft. (1,52 m)			29.9 (13,0)	24.4 (11,0)	23.6 (10,0)	17.8 (8,0)	18.6 (8,4)	13.8 (6,2)	14.9 (6,7)	11.1 (5,0)
Ground Line	39.7 (18,0)	35.9 (16,0)	29.5 (13,0)	23.6 (10,0)	23.0 (10,0)	17.3 (7,8)	18.2 (8,3)	13.5 (6,1)	13.0 (5,8)	11.0 (4,9)
-5 ft. (-1,52 m)	35.1 (15,0)	35.1 (15,0)	26.9 (12,0)	23.2 (10,0)	20.9 (9,4)	17.1 (7,7)	15.9 (7,2)	13.4 (6,0)		
-10 ft. (-3,05 m)	27.5 (12,0)	27.5 (12,0)	21.9 (9,9)	21.9 (9,9)	16.8 (7,6)	16.8 (7,6)				

NOTES: Lift capacity ratings are based on SAE Standard J1097. Capacities shown are 87 percent in hydraulic or 75 percent in stability over front and side.

*Hydraulic limited capacities with Power Boost. Lifting point is at the heel to grapple pin.

2554 LIFT CAPACITIES — SWAMP LOG LOADER (HEELER TYPE)

Boldface italic type indicates hydraulic-limited capacities with Power Boost on; lightface type indicates stability-limited capacities, in lb. (kg). Machine situated on firm, uniform supporting surface. Total load includes weight of cables, hook, etc. Figures do not exceed 87 percent of hydraulic capacities or 75 percent of weight needed to tip machine.

With 8 ft. 10 in. (2,7 m) GA Highwalker U/C. with 34-in. (864 mm) shoes. Lift in 1,000 lb. (1 000 kg).

Load Point Height	15 ft. (4,57 m)		20 ft. (6,10 m)		25 ft. (7,62 m)		30 ft. (9,14 m)		35 ft. (10,67 m)	
	Over Front	Over Side	Over Front	Over Side	Over Front	Over Side	Over Front	Over Side	Over Front	Over Side
35 ft. (10,67 m)	21.1 (9,6)	21.1 (9,6)	19.1 (8,7)	19.1 (8,7)						
30 ft. (9,14 m)			17.5 (7,9)	17.5 (7,9)	16.2 (7,4)	13.9 (6,3)				
25 ft. (7,62 m)			17.5 (7,9)	17.5 (7,9)	15.9 (7,2)	14.2 (6,4)	14.5 (6,6)	10.2 (4,8)		
20 ft. (6,10 m)			18.4 (8,3)	18.4 (8,3)	16.3 (7,4)	14.2 (6,4)	14.4 (6,5)	10.4 (4,7)		
15 ft. (4,57 m)			20.2 (9,2)	20.1 (9,1)	17.1 (7,8)	14.0 (6,4)	14.7 (6,7)	10.4 (4,7)	12.3 (5,6)	8.2 (3,7)
10 ft. (3,05 m)			22.2 (10,1)	19.4 (8,8)	18.0 (8,2)	13.7 (6,2)	15.0 (6,8)	10.3 (4,7)	12.2 (5,5)	8.1 (3,7)
5 ft. (1,52 m)			23.7 (10,8)	18.6 (8,4)	18.6 (8,4)	13.4 (6,1)	15.0 (6,8)	10.2 (4,6)	12.0 (5,4)	8.0 (3,6)
Ground Line			23.9 (10,8)	18.0 (8,2)	18.6 (8,4)	13.1 (5,9)	14.6 (6,6)	10.0 (4,5)	10.7 (4,9)	7.9 (3,6)
-5 ft. (-1,52 m)			22.0 (10,0)	17.7 (8,0)	17.7 (8,0)	12.8 (5,8)	13.0 (5,9)	9.8 (4,4)		
-10 ft. (-3,05 m)			17.9 (8,1)	17.6 (8,0)	14.0 (6,4)	12.8 (5,8)	9.6 (4,4)	9.6 (4,4)		

NOTES: Lift capacity ratings are based on SAE Standard J1097. Capacities shown are 87 percent in hydraulic or 75 percent in stability over front and side.

*Hydraulic limited capacities with Power Boost. Lifting point is at the heel to grapple pin.

TECHNICAL DATA 3554 SWING MACHINE

ENGINE

Type	John Deere 6081H with altitude-compensating turbocharger and charged air cooling
Rated Power	246 SAE net hp <i>183 kW</i>
Displacement	494 cu. in. <i>8,1 L</i>
Maximum Net Torque.....	940 lbf. <i>1 275 Nm @ 1,100 rpm</i>
Fuel Consumption, Typical	6.0 to 10.0 gal./hr. <i>23,0 to 38,0 L/hr.</i>
Electrical System	24 volt with 45-amp alternator
Batteries (Two 12 Volt)	Reserve capacity: 180 min.

HYDRAULIC SYSTEM

Main Pumps	Two variable-displacement axial-piston open center
Maximum Flow	2 x 77 gpm <i>2 x 292 L/min.</i>
Pilot Pump	One gear
Maximum Rated Flow	4.4 gpm <i>16,8 L/min.</i>
Pressure Setting	570 psi <i>3 923 kPa</i>
System Operating Pressure	
Implement Circuits.....	4,624 psi <i>31 880 kPa</i>
Travel Circuits.....	5,050 psi <i>34 820 kPa</i>
Swing Circuits.....	4,340 psi <i>29 920 kPa</i>
Oil Filtration	One 10-micron full-flow return filter with by-pass/One pilot oil filter/One suction filter

SWING MECHANISM

Swing Speed	11.6 rpm	High Swing Torque Option 9.2 rpm
Swing Torque.....	82,800 lbf. <i>112 347 Nm</i>	109,500 lbf. <i>148 574 Nm</i>

UNDERCARRIAGE

	Standard U/D, 8 ft. 10 in. <i>2,69 m</i>	High Drawbar U/D, 8 ft. 10 in. <i>2,69 m</i> / 9 ft. 7 in. <i>2,92 m</i>
Travel Speed		
Maximum	0–3.4 mph <i>0–5.5 kph</i>	0–3.0 mph <i>0–4.9 kph</i>
Drawbar Pull.....	56,074 lb. <i>25 435 kg</i>	79,590 lb. <i>36 101 kg</i>

CAPACITIES

	Standard U/D, 8 ft. 10 in. <i>2,69 m</i>	High Drawbar U/D, 8 ft. 10 in. <i>2,69 m</i> / 9 ft. 7 in. <i>2,92 m</i>
Fuel Tank.....	269 gal. <i>1 018 L</i>	269 gal. <i>1 018 L</i>
Cooling System.....	58.5 qt. <i>55,4 L</i>	58.5 qt. <i>55,4 L</i>
Engine Lubrication, Including Filter	32 qt. <i>30 L</i>	32 qt. <i>30 L</i>
Hydraulic Tank.....	85 gal. <i>322 L</i>	85 gal. <i>322 L</i>
Propel Gearbox (Each).....	8.0 qt. <i>7,6 L</i>	9.5 qt. <i>9 L</i>
Swing Drive	15 qt. <i>14 L</i>	15 qt. <i>14 L</i>

3554 DELIMBER CARRIER

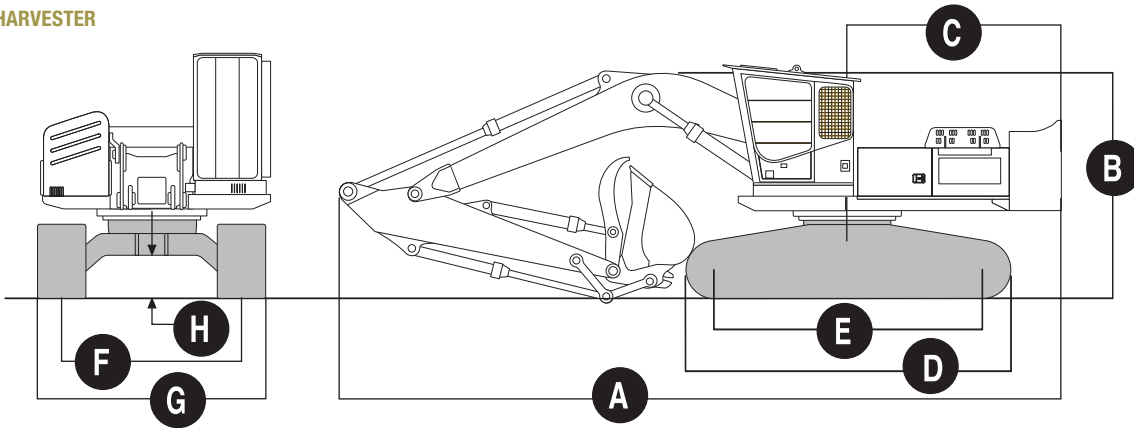
	Standard U/D, 8 ft. 10 in. <i>2,69 m</i>	High Drawbar U/D, 8 ft. 10 in. <i>2,69 m</i>
Operating Weight (Less Bucket)	72,000 lb. <i>32 659 kg</i>	77,675 lb. <i>35 233 kg</i>

JOHN DEERE 3554 ROAD BUILDER / HARVESTER

DIMENSIONS

	Standard U/D, 8 ft. 10 in. 2,69 m	High Drawbar U/D, 8 ft. 10 in. 2,69 m
A Shipping Length.....	36 ft. 6 in. 11,11 m.....	36 ft. 6 in. 11,11 m
B Operating Position	12 ft. 7 in. 3,83 m.....	12 ft. 7 in. 3,83 m
C Tail Swing	11 ft. 9 in. 3,58 m.....	11 ft. 9 in. 3,58 m
D Overall Track Length	16 ft. 2 in. 4,93 m.....	16 ft. 7 in. 5,06 m
E Idler To Sprocket Distance	13 ft. 3 in. 4,04 m.....	13 ft. 3 in. 4,04 m
F Track Gauge	8 ft. 10 in. 2,69 m.....	8 ft. 10 in. 2,69 m
G Overall Undercarriage Width 28-in. 711 mm Pads	11 ft. 2 in. 3,40 m.....	11 ft. 2 in. 3,40 m
H Ground Clearance	28 in. 711 mm.....	28 in. 711 mm

ROAD BUILDER/HARVESTER



GROUND PRESSURE DATA

	Standard U/D, 8 ft. 10 in. 2,69 m	High Drawbar U/D, 8 ft. 10 in. 2,69 m
Average Ground Pressure With 8 ft. 10 in. 2,69 m Standard Undercarriage And 28-in. 711 mm Double-Bar Grouser Shoes		9.1 psi 62.4 kPa
Average Ground Pressure With 8 ft. 10 in. 2,69 m High-Drawbar Undercarriage And 28-in. 711 mm Double-Bar Grouser Shoes		9.8 psi 68.0 kPa

OPERATING WEIGHT

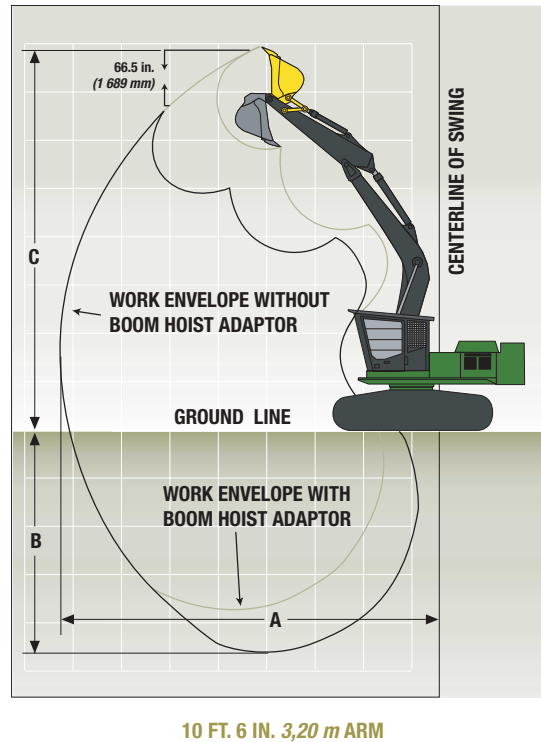
	Standard U/D, 8 ft. 10 in. 2,69 m	High Drawbar U/D, 8 ft. 10 in. 2,69 m
Less Bucket.....	85,700 lb. 38 873 kg	91,375 lb. 41 447 kg

JOHN DEERE 3554 OPERATING INFORMATION/WORK ENVELOPE — ROAD BUILDER/HARVESTER

DIMENSIONS

Lifting Capacity Over Front @ Ground Level 20-ft. 6,1 m Reach*.....	31,020 lb. 14 070 kg	
A Maximum Reach @ Ground Level.....	36 ft. 5 in. 11,10 m	
	Without Lift Adaptors	With Lift Adaptors
B Maximum Depth Below Ground.....	23 ft. 1 in. 7,03 m	17 ft. 6 in. 5,33 m
C Maximum Height.....	34 ft. 7 in. 10,54 m	40 ft. 2 in. 12,24 m

*Maximum lift force with Power Boost, grapple not included.



3554 LIFT CAPACITIES — ROAD BUILDER/HARVESTER

Boldface italic type indicates hydraulic-limited capacities with Power Boost on; lightface type indicates stability-limited capacities, in lb. (kg). Machine situated on firm, uniform supporting surface. Total load includes weight of cables, hook, etc. Figures do not exceed 87 percent of hydraulic capacities or 75 percent of weight needed to tip machine.

With 10 ft. 6 in. (3,2 m) arm, 8 ft. 10 in. (2,7 m) GA U/C with 28-in. (711 mm) shoes. Lift in 1,000 lb. (1 000 kg).

Load Point Height	10 ft. (3,05 m)		15 ft. (4,57 m)		20 ft. (6,10 m)		25 ft. (7,62 m)		30 ft. (9,14 m)	
	Over Front	Over Side	Over Front	Over Side	Over Front	Over Side	Over Front	Over Side	Over Front	Over Side
20 ft. (6,10 m)							17.14 (7,89)	17.14 (7,89)	11.98 (5,43)	11.98 (5,43)
15 ft. (4,57 m)							18.67 (8,47)	17.18 (7,79)	17.49 (7,93)	13.10 (5,94)
10 ft. (3,05 m)			35.16 (15,95)	32.84 (14,89)	25.18 (11,42)	22.30 (10,10)	20.82 (9,44)	16.45 (7,46)	18.49 (8,39)	12.75 (5,78)
5 ft. (1,52 m)					28.97 (13,14)	21.00 (9,52)	22.93 (10,40)	15.74 (7,14)	18.87 (8,56)	12.37 (5,61)
Ground Line			23.84 (10,81)	23.84 (10,81)	31.02 (14,07)	20.21 (9,17)	23.81 (10,80)	15.21 (6,90)	18.55 (8,41)	12.07 (5,47)
-5 ft. (-1,52 m)	19.35 (8,78)	19.35 (8,78)	22.45 (10,18)	22.45 (10,18)	31.11 (14,11)	19.91 (9,03)	23.52 (10,67)	14.95 (6,78)	18.40 (8,34)	11.93 (5,41)
-10 ft. (-3,05 m)	28.28 (12,83)	28.28 (12,83)	29.32 (13,30)	29.32 (13,30)	29.30 (13,29)	19.97 (9,06)	23.37 (10,60)	14.96 (6,78)		
-15 ft. (-4,57 m)	23.65 (10,73)	23.65 (10,73)	30.99 (14,05)	30.72 (13,93)	25.03 (11,35)	20.37 (9,24)	19.13 (8,68)	15.36 (6,97)		

NOTES: Lift capacity ratings are based on SAE Standard J1097. Capacities shown are 87 percent in hydraulic or 75 percent in stability over front and side.
*Hydraulic limited capacities with Power Boost. Lifting point is at the heel of grapple pin.

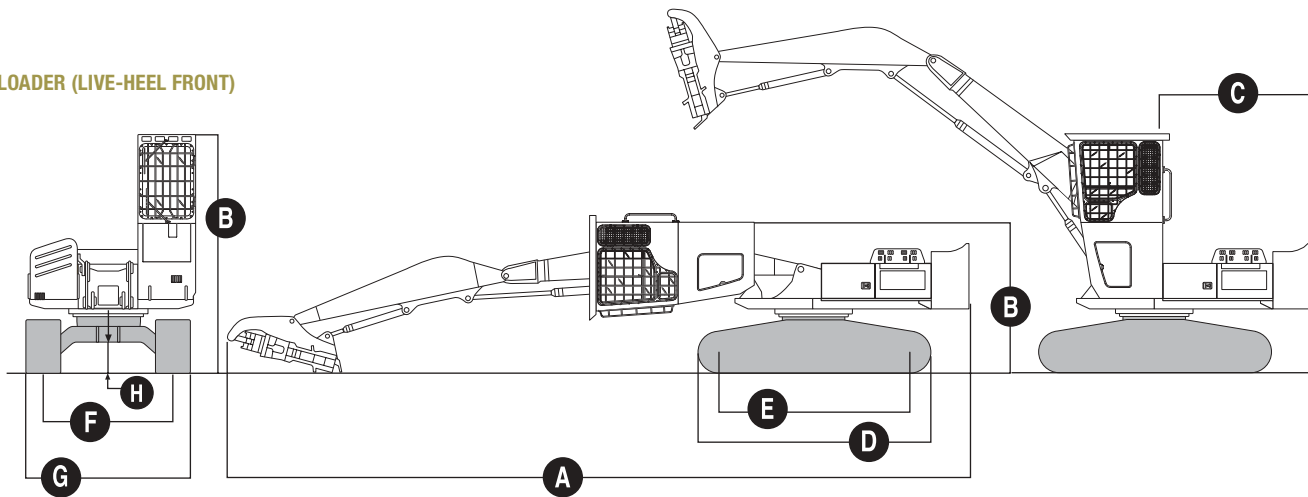
JOHN DEERE 3554 LOG LOADER (LIVE-HEEL FRONT)

DIMENSIONS

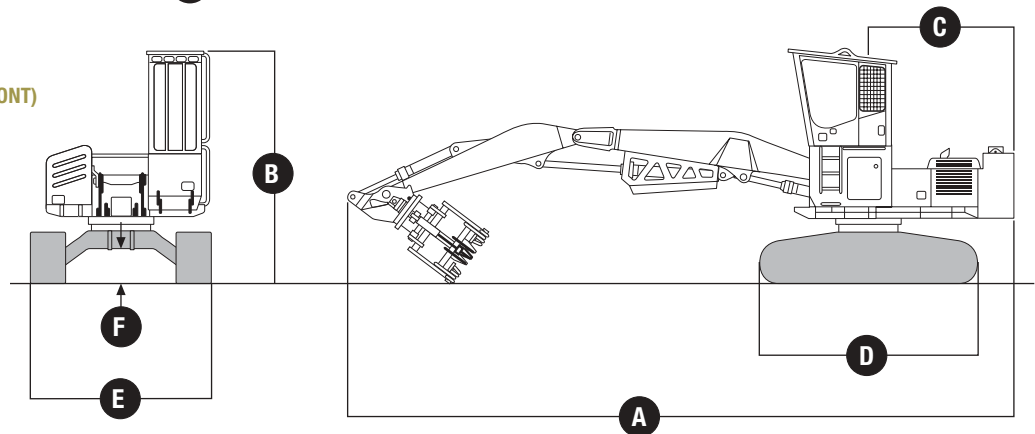
Side entry cab with 48-in. 1 219 mm tilt riser or rear entry cab with 72-in. 1 829 mm tilt riser,
High Drawbar U/D, 9 ft. 7 in. 2,92 m

	Live-Heel Front	Butt-n-Top Grapple Front
A Shipping Length.....	54 ft. 8 in. 16,67 m	51 ft. 8 in. 15,76 m
B Operating Position.....	18 ft. 0 in. 5,47 m	18 ft. 0 in. 5,47 m
With 48-in. 1 219 mm Riser.....	16 ft. 4 in. 4,96 m	16 ft. 4 in. 4,96 m
Transport Position.....	11 ft. 7 in. 3,54 m	11 ft. 7 in. 3,54 m
C Tail Swing.....	11 ft. 9 in. 3,56 m	11 ft. 9 in. 3,56 m
D Overall Track Length.....	16 ft. 9 in. 5,09 m	16 ft. 9 in. 5,09 m
E Idler To Sprocket Distance.....	13 ft. 3 in. 4,05 m	13 ft. 3 in. 4,05 m
F 9 ft. 7 in. 2,92 m Gauge High Wide.....	9 ft. 7 in. 2,92 m	9 ft. 7 in. 2,92 m
G With 28-in. 711 mm Track Shoes.....	11 ft. 11 in. 3,62 m	11 ft. 11 in. 3,62 m
9 ft. 7 in. 2,92 m Gauge High Wide.....	11 ft. 11 in. 3,62 m	11 ft. 11 in. 3,62 m
H Ground Clearance.....	28 in. 711 mm	28 in. 711 mm

LOG LOADER (LIVE-HEEL FRONT)



LOG LOADER (ARTICULATING GRAPPLE [BNT] FRONT)



GROUND PRESSURE DATA

Average Ground Pressure With 9 ft. 7 in. 2,92 m High-Drawbar Undercarriage
and 28-in. 711 mm Double-Bar Grouser Shoes.....

High Drawbar U/D, 9 ft. 7 in. 2,92 m

10.4 psi 71.7 kPa

OPERATING WEIGHT (LESS GRAPPLE)

Live-Heel Front.....99,240 lb. 45 014 kg
Butt-n-Top Grapple Front.....96,820 lb. 43 002 kg

High Drawbar U/D, 9 ft. 7 in. 2,92 m

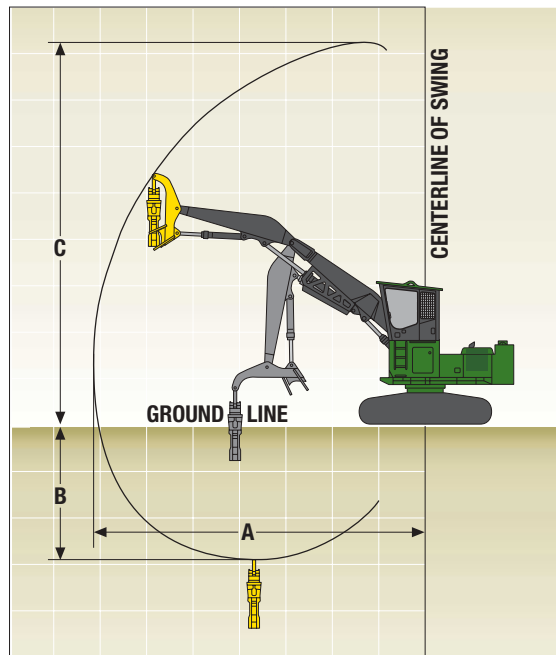
TECHNICAL DATA 3554 SWING MACHINE

JOHN DEERE 3554 OPERATING INFORMATION/WORK ENVELOPES — LOG LOADER

DIMENSIONS

	Live-Heel Front Length	Articulating Grapple (BNT) Front Length
Lifting Capacity Over Front		
@ Ground Level 20-ft. 6,1 m Reach*.....	40,000 lb. 18 100 kg	40,500 lb. 18 300 kg
A Maximum Reach @ Ground Level.....	43 ft. 0 in. 13,10 m	39 ft. 0 in. 11,89 m
B Maximum Depth Below Ground.....	24 ft. 3 in. 7,4 m	17 ft. 6 in. 5,3 m
C Maximum Height.....	49 ft. 5 in. 15,06 m	45 ft. 5 in. 13,8 m

*Maximum lift force with Power Boost, grapple not included.



LIVE-HEEL FRONT WORK ENVELOPE

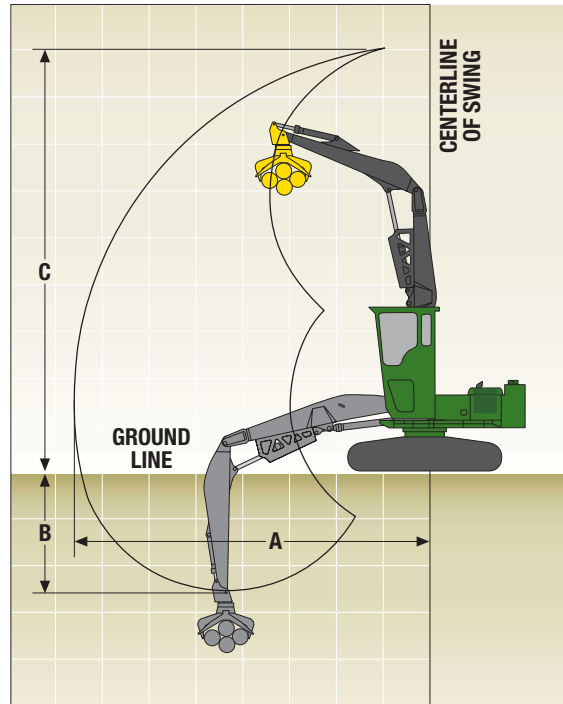
3554 LIFT CAPACITIES — LOG LOADER (LIVE-HEEL FRONT)

Boldface italic type indicates hydraulic-limited capacities with Power Boost on; lightface type indicates stability-limited capacities, in lb. (kg). Machine situated on firm, uniform supporting surface. Total load includes weight of cables, hook, etc. Figures do not exceed 87 percent of hydraulic capacities or 75 percent of weight needed to tip machine.

With 9 ft. 7 in. (2,92 m) GA. with 28-in. (711 mm) shoes. Lift in 1,000 lb. (1 000 kg).

Load Point Height	15 ft. (4,57 m)		20 ft. (6,10 m)		25 ft. (7,62 m)		30 ft. (9,14 m)		35 ft. (10,67 m)		40 ft. (12,19 m)	
	Over Front	Over Side	Over Front	Over Side	Over Front	Over Side	Over Front	Over Side	Over Front	Over Side	Over Front	Over Side
40 ft. (12,19 m)	37.0 (16,7)	37.0 (16,7)	32.1 (14,5)	31.8 (14,4)	25.5 (11,5)	22.9 (10,3)						
35 ft. (10,67 m)			29.4 (13,3)	29.4 (13,0)	26.7 (12,1)	22.5 (10,2)	23.3 (10,5)	17.2 (7,8)				
30 ft. (9,14 m)			28.8 (13,0)	28.8 (13,0)	25.9 (11,7)	23.2 (10,5)	22.6 (10,2)	16.6 (7,52)	18.1 (8,21)	13.3 (6,0)		
25 ft. (7,62 m)			28.0 (12,7)	28.0 (12,7)	26.2 (11,8)	23.4 (10,6)	23.0 (10,4)	17.0 (7,71)	17.3 (7,84)	12.5 (5,6)		
20 ft. (6,10 m)			29.2 (13,2)	29.2 (13,2)	27.4 (12,4)	23.1 (10,4)	22.9 (10,3)	16.9 (7,66)	17.5 (7,93)	12.7 (5,7)	14.4 (6,53)	10.5 (4,7)
15 ft. (4,57 m)			35.2 (15,9)	32.6 (14,7)	29.1 (13,1)	22.5 (10,2)	22.6 (10,2)	16.6 (7,52)	17.7 (8,02)	12.9 (5,8)	14.4 (6,53)	10.5 (4,7)
10 ft. (3,05 m)			38.4 (17,4)	30.7 (13,9)	29.7 (13,4)	21.6 (9,7)	22.1 (10,0)	16.2 (7,3)	17.7 (8,02)	12.9 (5,8)	14.2 (6,44)	10.3 (4,6)
5 ft. (1,52 m)			40.4 (18,3)	29.2 (13,2)	28.9 (13,1)	20.9 (9,4)	22.0 (9,97)	16.0 (7,2)	17.4 (7,89)	12.6 (5,7)	14.1 (6,39)	10.1 (4,5)
Ground Line			40.0 (18,1)	28.2 (12,7)	28.4 (12,8)	20.4 (9,2)	21.6 (9,79)	15.6 (7,0)	17.1 (7,75)	12.3 (5,5)	13.9 (6,3)	10.0 (4,5)
-5 ft. (-1,52 m)			37.6 (17,0)	27.4 (12,4)	27.8 (12,6)	19.8 (8,9)	21.2 (9,61)	15.2 (6,8)	16.8 (7,62)	12.1 (5,4)	12.7 (5,76)	10.0 (4,5)
-10 ft. (-3,05 m)			31.7 (14,3)	27.2 (12,3)	25.9 (11,7)	19.6 (8,8)	20.6 (9,34)	15.1 (6,8)	15.2 (6,89)	12.1 (5,4)		
-15 ft. (-4,57 m)					19.3 (17,0)	19.3 (12,0)						

NOTES: Lift capacity ratings are based on SAE Standard J1097. Capacities shown are 87 percent in hydraulic or 75 percent in stability over front and side.
*Hydraulic limited capacities with Power Boost. Lifting point is at the heel of grapple pin.



ARTICULATING GRAPPLE (BNT) FRONT WORK ENVELOPE

3554 LIFT CAPACITIES — LOG LOADER ARTICULATING GRAPPLE (BNT) FRONT

Boldface italic type indicates hydraulic-limited capacities with Power Boost on; lightface type indicates stability-limited capacities, in lb. (kg). Machine situated on firm, uniform supporting surface. Total load includes weight of cables, hook, etc. Figures do not exceed 87 percent of hydraulic capacities or 75 percent of weight needed to tip machine.

With 9 ft. 7 in. (2,92 m) GA. with 28-in. (711 mm) shoes. Lift in 1,000 lb. (1 000 kg).

Load Point Height	15 ft. (4,57 m)		20 ft. (6,10 m)		25 ft. (7,62 m)		30 ft. (9,14 m)		35 ft. (10,67 m)	
	Over Front	Over Side	Over Front	Over Side	Over Front	Over Side	Over Front	Over Side	Over Front	Over Side
40 ft. (12,19 m)	38.4 (17,4)	38.4 (17,4)	29.2 (13,2)	29.2 (13,2)						
35 ft. (10,67 m)			32.5 (14,7)	32.5 (14,7)	28.7 (13,0)	24.1 (10,9)				
30 ft. (9,14 m)			31.5 (14,2)	31.5 (14,2)	28.5 (12,9)	24.6 (11,1)	24.1 (10,9)	18.1 (8,2)		
25 ft. (7,62 m)			32.1 (14,5)	32.1 (14,5)	28.6 (12,9)	24.5 (11,1)	24.3 (11,0)	18.3 (8,3)		
20 ft. (6,10 m)	31.7 (14,3)	31.7 (14,3)	34.1 (15,4)	34.1 (15,4)	29.6 (13,4)	24.1 (10,9)	24.2 (10,9)	18.2 (8,2)	18.9 (8,5)	14.1 (6,3)
15 ft. (4,57 m)	38.0 (17,2)	38.0 (17,2)	37.1 (16,8)	32.8 (14,8)	31.0 (14,0)	23.4 (10,6)	23.8 (10,7)	17.8 (8,0)	18.8 (8,5)	14.0 (6,3)
10 ft. (3,05 m)			40.1 (18,1)	31.3 (14,1)	30.6 (13,8)	22.6 (10,2)	23.3 (10,5)	17.4 (7,8)	18.5 (8,3)	13.8 (6,2)
5 ft. (1,52 m)	56.9 (25,8)	45.5 (20,6)	41.7 (18,9)	29.8 (13,5)	29.8 (13,5)	21.8 (9,8)	22.8 (10,3)	16.9 (7,6)	18.3 (8,3)	13.6 (6,1)
Ground Line	55.0 (24,9)	43.8 (19,8)	40.5 (18,3)	28.8 (13,0)	29.1 (13,1)	21.2 (9,6)	22.5 (10,2)	16.6 (7,5)	18.2 (8,2)	13.5 (6,1)
-5 ft. (-1,52 m)	48.4 (21,9)	43.2 (19,5)	37.5 (17,0)	28.3 (12,8)	28.7 (13,0)	20.9 (9,4)			15.7 (7,1)	13.5 (6,1)
-10 ft. (-3,05 m)	37.9 (17,1)	37.9 (17,1)	30.7 (13,9)	28.2 (12,7)	24.1 (10,9)	20.8 (9,4)				

NOTES: Lift capacity ratings are based on SAE Standard J1097. Capacities shown are 87 percent in hydraulic or 75 percent in stability over front and side.

*Hydraulic limited capacities with Power Boost. Lifting point is at the heel to grapple pin.

OPERATOR'S STATION, STANDARD

Purpose-built forestry cab mounted on 7-in. riser with integral FOPS, FOGS, and operator protection
 Meets US OSHA and BC WCB requirements
 Secondary exit
 Adjustable independent control positions (levers-to-seat, seat-to-pedals)
 Auto control air conditioning and heater with pressurizer
 AM/FM radio
 Built-in Operator's Manual storage compartment and manual
 Coat hook
 Large beverage holder
 Deluxe suspension cloth seat with reclining backrest, adjustable armrests and headrest
 Fire extinguisher
 Front windshield wiper with constant or intermittent speeds
 Gauges (illuminated): Engine coolant/Fuel
 Horn, electric
 Hourmeter, electric
 Hydraulic shutoff lever, all controls
 Instrument and interior lights
 Mode selectors (illuminated): Power modes – four/
 Travel modes – two with automatic shift/
 Work modes – four
 Monitor system with alarm features: Auto-idle/
 Auto-acceleration indicator light/Engine air cleaner restriction indicator light/Engine check/
 Engine coolant temperature indicator light with audible alarm/Engine oil pressure indicator light with audible alarm/Fluid level: Engine coolant level indicator light, engine oil level indicator light, and hydraulic oil level indicator light/Low alternator charge indicator light/Low fuel indicator light/
 Wiper mode indicator/Work lights on indicator/
 Work mode indicator light
 Motion alarm with cancel switch – Conforms to SAE J994
 Power boost switch on right control lever
 Propel pedals and levers
 Seat belt, 2-in. 51 mm
 Tinted windows
 Heavy-duty 24- to 12-volt D.C. converter with two 12V power outlets (20 amp intermittent, 10 amp continuous)

STANDARD FEATURES

ENGINE

Tier II emission compliant, turbocharged, charge-air cooled, fully electronic fuel-injection system, diagnostic display for easy service, double-auto-idle feature for excellent fuel efficiency, heavy-duty cooling system with 8 fin per inch design, automatic belt tension device
 Batteries (two 12 volt), 180 min. reserve capacity
 Coolant recovery tank
 Dual element dry-type air filter
 Electric ether starting aid
 Enclosed fan guard – Conforms to SAE J1308
 Engine coolant to -34°F -37°C
 Fuel/water separator
 Full-flow oil filter
 John Deere vertical spin-on fuel filter
 Oil-to-coolant engine oil cooler
 Easily removable radiator trash screen
 Turbocharger air cooler

HYDRAULIC SYSTEM

Boom and arm reduced drift valve
 Auxiliary hydraulic valve section
 Hydraulic filter restriction indicator
 Spring-applied, hydraulically released automatic swing brake

UNDERCARRIAGE

Purpose-built forestry undercarriage
 Cast bearing tower
 Double-bar grouser track shoes, 28-in. 711 mm
 Forestry propel motor shields
 Forestry under-tower center guard
 Full length track guides, ski type
 Two-speed propel with automatic shift
 Double pedestal upper rollers except for 2054 std. undercarriage
 Reinforced idler area
 Stronger idler spring tension
 Upper track guides over idler
 Upper track rollers with supports
 Tow loop, front and rear

UPPERSTRUCTURE

Purpose-built forestry main frame with integral Deerewalks and under house protection
 Large logger right front corner tool box
 Log deflector
 Deere safety approved hand holds and steps
 Right-hand and left-hand mirrors
 6 mm side doors with provision for padlocks
 Strengthened bulkheads to support 6 mm doors
 269-gallon fuel tank integral to counterweight
 Provision for padlocks on: fuel cap/service doors/toolbox
 Anti-skid walk surfaces

ELECTRICAL

Blade-type multi-fused circuits
 By-pass start safety cover on starter
 Positive terminal battery covers

OPERATOR'S STATION, OPTIONAL

Cab, rear entry, with tilting high riser

Seat belt, 3-in. *76 mm*

Alternate pilot control pattern

48-in. *1 219 mm* hydraulically tilting riser

Rear entry cab on 48-in. *1 219 mm* riser

Rear entry cab on 72-in. *1 829 mm* riser

OPTIONAL FEATURES

ENGINE

Engine coolant heater

HYDRAULIC SYSTEM

Auxiliary hydraulic lines

Auxiliary pilot and electric controls

Hydraulic tank pressure dump

Hydraulics for two-function grapple on exc. front

Hydraulics for thumb on exc. front

Hydraulics for Waratah Processing heads (2054 and 2554 only)

UNDERCARRIAGE

Slides in place of upper rollers

High drawbar pull undercarriage with larger class components (2554 and 3554 only)

UPPERSTRUCTURE

Secondary swing motor (3554 only)

FRONT ATTACHMENTS

Less front

Road builder front

Live-heel logging front

BNT or articulating grapple front

Boom cylinder lift adaptors

Attachment quick couplers

ELECTRICAL

Heavy-duty alternator, 100 amps

Additional HD 24-volt to 12-volt converter

LIGHTS

Work lights: Halogen, 33,000 candlepower *375 757 lux*

Two mounted on arm with guarding/One mounted on log deflector/

One mounted in riser/Four mounted on top front of cab/

Two mounted on top rear of riser

Gross Power is without cooling fan. Approximate operating weight includes all standard equipment, half-full fuel tank at 955 lb. (*430 kg*), all fluids, and 165 lb. (*75 kg*) operator.

Specifications and design subject to change without notice. Wherever applicable, specifications are in accordance with PCSA and SAE standards. Except where otherwise noted, these specifications are based on units with High and Wide (11 ft. 11 in.) undercarriages, standard cabs with 48-in. (*1 219 mm*) risers, operator guarding, live-heel logging fronts with 43-ft. (*13,1 m*) reach, and additional counterweights.



NOTHING RUNS LIKE A DEERE.

Maybe those words are the reason why almost every other professional logger is a John Deere customer.

They're just five simple words. Yet they have profound impact on your company. Because at their heart they mean equipment that is built forest tough, with greater productivity, more uptime and lower daily operating costs. They mean a dealer network over 380 locations strong, with immediate access to parts and experts that understand your industry. They mean a dedicated lender

in John Deere Credit, committed to helping loggers succeed with competitive financing to enhance cash flow. And they mean a global forestry equipment leader that invests more in R & D than any other manufacturer.

But most of all, these words represent the confidence that comes with over 168 years of heavy equipment experience.

Your world is logging. So is ours. John Deere Forestry. Leading the way, worldwide.

FULL TREE SYSTEM

ADVANCED HARVESTING SYSTEM

PRODUCTIVITY | UPTIME | LOW DAILY OPERATING COSTS

www.JohnDeere.com



JOHN DEERE
Nothing Runs Like A Deere®