

**544 G**

Wheel Loader



**JOHN DEERE**





## 544 G-TIER WHEEL LOADER

# GET DOWN TO BUSINESS

Got a material-handling task that demands impressive machine agility and ability? The John Deere 544 G-Tier Wheel Loader is packed with proven capabilities plus customer-inspired productivity- and uptime-enhancing features. This mid-sized machine delivers rugged reliability and outsized operating ease, just like the rest of the legendary Deere loader lineup. And its lower initial acquisition cost doesn't mean equipment quality and dealer support are in short supply. Get ready to realize what this purpose-built model can help your operation do.



## FEATURES

### Machine and fleet versatility

Choose between optional pin-on buckets and Hi-Vis/ISO- and JRB-style couplers that accept L- and K-Series as well as P- and X-tier attachments and buckets. Optional third- and fourth-function hydraulics enable the use of a broad range of attachments. Available field kits allow fork frames and other bucket options to be added.

### Comfort and control in the cab

Easy-to-access machine settings and features, adjustable high-definition monitor with built-in diagnostic trouble codes, and convenient floor storage help operators work productively. Durable joystick controls, foot pedals, and sealed-switch module (SSM) are ergonomically placed. The choice of standard mechanical or optional air-ride suspension seat is yours.

### User-friendly operation

Intuitive pilot controls and the automatic transmission that shifts on the fly can be appreciated by both novice and skilled operators. Optional front-differential lock stabilizes traction in muddy or soft ground conditions. In-cab adjustable boom-height kickout, return to carry, and return to dig can be easily activated from the SSM, speeding repetitive applications. Clutch cutoff delivers full engine power to the hydraulics when crowding a pile and using the brakes, decreasing cycle times and boosting productivity.

### Let it snow

Contractors and governmental agencies can specifically benefit from using the 544 G-Tier Loader for snow-removal tasks. Snow tires, couplers, beacons, and fourth-function hydraulics are available from the factory to equip your machine to handle the white stuff.

## FIND YOUR FIT



### LEADING EDGE

Premium edge with innovative technology



### EXCEPTIONAL PERFORMANCE

Advanced features and performance



### RUGGED AND RELIABLE

Proven capabilities and value



+



RELIABLE

SIMPLE TO SERVICE



### Reach for more

For extra reach when loading trucks, hoppers, or feed mixers, adding High-Lift linkage provides an extra 14 inches of hinge-pin height over standard linkage.

### Economical high performer

The John Deere 544 G-Tier Wheel Loader was designed to deliver a lower cost of ownership solution without sacrificing performance compared to 544 and 524 P-Tier models.

### Proven design and reliability

The 544 G-tier leverages components and technology similar to those featured in both our current and previous series loaders for decades. John Deere PowerTech™ 6.8L engine is designed to maximize cooling efficiency and cylinder and piston-ring durability. John Deere TeamMate™ V axles contain pressure-lubed input bearings and brake discs to boost wear life. Extended service intervals lower maintenance costs over the life of the machine. Auto-idle and auto shutdown reduce engine speed or turn it off after a period of inactivity to save fuel and warranty hours.

### Dependable service and support

Renowned John Deere and dealer support, parts availability, and warranty help keep your equipment up and running. All daily service points including fuel are conveniently grouped at ground level on the left side of the machine. Sight gauges for transmission and hydraulic fluid levels are easy to read. Hinged doors provide wide-open access to the engine, cooling system, and other components.



**JOBSITE  
PROVEN**

+



**EASY TO  
OPERATE**





## 544 G-TIER WHEEL LOADER

### Remote diagnostics and support

To maximize uptime and lower costs, JDLink™ connectivity provides machine location, utilization data, and alerts to help you maximize productivity and efficiency. JDLink also enables John Deere Connected Support™. Dealers use Expert Alerts based on data from thousands of connected machines to proactively address conditions that may otherwise likely lead to downtime. Your dealer can also monitor machine health and leverage remote diagnostics and programming capability to further diagnose problems and even update machine software without a time-consuming trip to the jobsite.\*

\*Availability varies by region. Options not available in every country.



## 544 G-TIER WHEEL LOADER SPECIFICATIONS

While general information, pictures, and descriptions are provided, some illustrations and text may include product options and accessories NOT AVAILABLE in all regions, and in some countries products and accessories may require modifications or additions to ensure compliance with the local regulations of those countries.

Engine	544 G Z-BAR / HIGH-LIFT TIER 3		544 G Z-BAR / HIGH-LIFT FINAL TIER 4 (FT4)	
Manufacturer and Model	John Deere PowerTech™ E 6068H		John Deere PowerTech™ PVS 6068	
Non-Road Emission Standard	EPA Tier 3/EU Stage IIIA		EPA FT4/EU Stage V	
Cylinders	6		6	
Valves Per Cylinder	2		4	
Displacement	6.8 L (414 cu. in.)		6.8 L (414 cu. in.)	
Net Peak Power (ISO 9249)	124 kW (166 hp) at 1,900 rpm		125 kW (168 hp) at 1,800 rpm	
Net Peak Torque (ISO 9249)	669 Nm (493 lb.-ft.) at 1,600 rpm		696 Nm (513 lb.-ft.) at 1,100 rpm	
Net Torque Rise	36%		40%	
Fuel System (electronically controlled)	High-pressure common rail		High-pressure common rail	
Lubrication	Full-flow spin-on filter and integral cooler		Full-flow spin-on filter and integral cooler	
Aspiration	Turbocharged, charge air cooled		Turbocharged, charge air cooled	
Air Cleaner	Under-hood, dual-element dry type, restriction indicator in cab monitor for service			
<b>Cooling</b>	<b>544 G Z-BAR / HIGH-LIFT TIER 3 / FT4</b>			
Fan Drive	Hydraulically driven, proportionally controlled, fan aft of coolers			
<b>Electrical</b>	<b>544 G Z-BAR / HIGH-LIFT TIER 3</b>		<b>544 G Z-BAR / HIGH-LIFT FT4</b>	
Electrical System	24 volt with 80-amp alternator		24 volt with 100-amp alternator	
Batteries (2 – 12 volt)	950 CCA (each)		950 CCA (each)	
<b>Transmission System</b>				
Type	Countershaft-type PowerShift		Countershaft-type PowerShift	
Torque Converter	Single stage, single phase		Single stage, single phase	
Shift Control	Electronically modulated, adaptive, load and speed dependent		Electronically modulated, adaptive, load and speed dependent	
Operator Interface	Joystick-mounted F-N-R; Quick-Shift button on hydraulic lever		Joystick-mounted F-N-R; Quick-Shift button on hydraulic lever	
Shift Modes	Manual/auto (1st–D or 2nd–D); Quick-Shift button with 2 selectable modes: kick-down or kick-up/down; and 3 adjustable clutch cutoff settings			
Maximum Travel Speeds (with 20.5 R 25 tires)	<i>Forward</i>	<i>Reverse</i>	<i>Forward</i>	<i>Reverse</i>
Range 1	5.6 km/h (3.5 mph)	5.9 km/h (3.7 mph)	5.6 km/h (3.5 mph)	5.9 km/h (3.7 mph)
Range 2	11.0 km/h (6.8 mph)	11.6 km/h (7.2 mph)	11.0 km/h (6.8 mph)	11.6 km/h (7.2 mph)
Range 3	16.8 km/h (10.4 mph)	25.5 km/h (15.8 mph)	16.7 km/h (10.4 mph)	25.5 km/h (15.8 mph)
Range 4	24.1 km/h (15.0 mph)	N/A	24.0 km/h (14.9 mph)	N/A
Range 5	35.8 km/h (22.2 mph)	N/A	35.9 km/h (22.3 mph)	N/A
<b>Axles/Brakes</b>	<b>544 G Z-BAR / HIGH-LIFT TIER 3 / FT4</b>			
Final Drives	Heavy-duty inboard-mounted planetary			
Differentials	Hydraulic locking front with conventional rear – standard; dual conventional front and rear – optional			
Rear Axle Oscillation, Stop to Stop (with 20.5 R 25 tires)	24 deg. (12 deg. each direction)			
Brakes (conform to ISO 3450)				
Service	Hydraulically actuated, spring retracted, self-adjusting, inboard sun-shaft mounted, oil cooled, single disc			
Parking	Automatic spring applied, hydraulically released, driveline mounted, sealed wet multi disc			
<b>Tires/Wheels</b>				
(see pages 9–10 for complete tire adjustments)	<b>544 G Z-BAR / HIGH-LIFT TIER 3</b>		<b>544 G Z-BAR / HIGH-LIFT FT4</b>	
	<i>Tread Width</i>	<i>Width Over Tires</i>	<i>Tread Width</i>	<i>Width Over Tires</i>
Advance 20.5 – 25, 16PR L-3	1950 mm (76.8 in.)	2470 mm (97.2 in.)	N/A	N/A
Advance 20.5 R25, 2 Stars L-3	N/A	N/A	1950 mm (76.8 in.)	2460 mm (96.9 in.)
<b>Serviceability</b>				
<b>Refill Capacities</b>				
Fuel Tank	290 L (76.6 gal.)		290 L (76.6 gal.)	
Diesel Exhaust Fluid (DEF)	N/A		15.7 L (16.6 qt.)	
Engine Cooling System	26.2 L (27.7 qt.)		34.9 L (36.9 qt.)	
Engine Oil With Vertical Spin-On Filter	19 L (20 qt.)		19.5 L (20.6 qt.)	
Transmission Reservoir With Vertical Filter	18 L (19 qt.)		18 L (19 qt.)	
Axle Oil (front and rear, each)				
Front	15 L (15.9 qt.)		15 L (15.9 qt.)	
Rear	16.3 L (17.2 qt.)		16.3 L (17.2 qt.)	
Hydraulic Reservoir and Filter	86 L (22.7 gal.)		86 L (22.7 gal.)	
Park Brake Oil (wet disc)	0.3 L (10 oz.)		0.3 L (10 oz.)	
<b>Hydraulic System/Steering</b>	<b>544 G Z-BAR / HIGH-LIFT TIER 3 / FT4</b>			
Pump (loader and steering)	Variable-displacement, axial-piston pump; closed-center, pressure-compensating system			
Maximum Rated Flow at 6895 kPa (1000 psi) and 2,350 rpm	189 L/m (50 gpm)			
System Relief Pressure (loader and steering)	25 166 kPa (3,650 psi)			
Loader Controls	2-function valve; joystick control or fingertip controls (field kit); hydraulic-function enable/disable; optional 3rd- and 4th-function valve with auxiliary lever			
Steering (conforms to ISO 5010)	Steering-column mounted			
Type	Power, fully hydraulic			
Articulation Angle	80-deg. arc (40 deg. each direction)			

## 544 G-TIER WHEEL LOADER SPECIFICATIONS

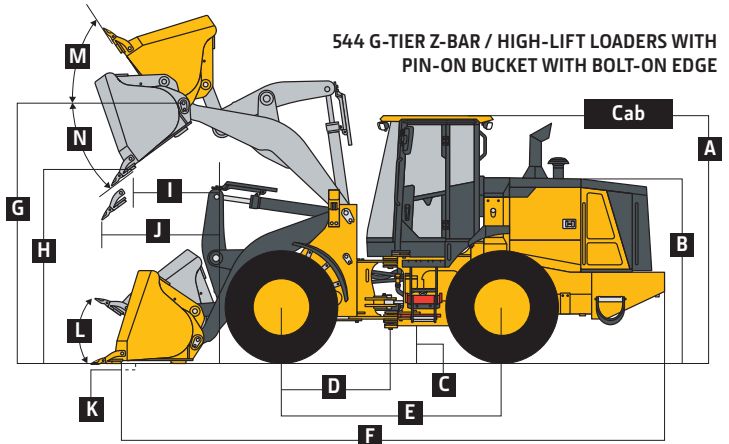
# 544

# G

While general information, pictures, and descriptions are provided, some illustrations and text may include product options and accessories NOT AVAILABLE in all regions, and in some countries products and accessories may require modifications or additions to ensure compliance with the local regulations of those countries.

Hydraulic System/Steering (continued)	544 G Z-BAR / HIGH-LIFT	
	TIER 3	FT4
Turning Radius (measured to centerline of outside tire)	5.00 m (16 ft. 5 in.)	5.00 m (16 ft. 5 in.)
Hydraulic Cycle Times		
Raise	5.7 sec.	5.8 sec.
Dump	1.3 sec.	1.3 sec.
Lower (float down)	3.4 sec.	3.4 sec.
Total	10.4 sec.	10.5 sec.

### Dimensions and Specifications With Pin-On Bucket With Bolt-On Edge



544 G-TIER Z-BAR / HIGH-LIFT LOADERS WITH PIN-ON BUCKET WITH BOLT-ON EDGE

### Key: General-Purpose (GP)

	544 G Z-Bar Tier 3		544 G High-Lift Tier 3		544 G Z-Bar FT4		544 G High-Lift FT4	
	2.1-m <sup>3</sup> (2.75 cu. yd.) GP	2.3-m <sup>3</sup> (3.00 cu. yd.) GP	2.1-m <sup>3</sup> (2.75 cu. yd.) GP	2.3-m <sup>3</sup> (3.00 cu. yd.) GP	2.1-m <sup>3</sup> (2.75 cu. yd.) GP	2.3-m <sup>3</sup> (3.00 cu. yd.) GP	2.1-m <sup>3</sup> (2.75 cu. yd.) GP	2.3-m <sup>3</sup> (3.00 cu. yd.) GP
<b>Dimensions With Bucket With Bolt-On Edge (illustration above right)</b>								
<b>A</b> Height to Top of Cab	3.27 m (10 ft. 9 in.)	3.27 m (10 ft. 9 in.)	3.27 m (10 ft. 9 in.)	3.27 m (10 ft. 9 in.)	3.27 m (10 ft. 9 in.)	3.27 m (10 ft. 9 in.)	3.27 m (10 ft. 9 in.)	3.27 m (10 ft. 9 in.)
<b>B</b> Hood Height	2.43 m (7 ft. 11 in.)	2.43 m (7 ft. 11 in.)	2.43 m (7 ft. 11 in.)	2.43 m (7 ft. 11 in.)	2.43 m (7 ft. 11 in.)	2.43 m (7 ft. 11 in.)	2.43 m (7 ft. 11 in.)	2.43 m (7 ft. 11 in.)
<b>C</b> Ground Clearance	0.41 m (16.1 in.)	0.41 m (16.1 in.)	0.41 m (16.1 in.)	0.41 m (16.1 in.)	0.41 m (16.1 in.)	0.41 m (16.1 in.)	0.41 m (16.1 in.)	0.41 m (16.1 in.)
<b>D</b> Length From Centerline to Front Axle	1.45 m (4 ft. 9 in.)	1.45 m (4 ft. 9 in.)	1.45 m (4 ft. 9 in.)	1.45 m (4 ft. 9 in.)	1.45 m (4 ft. 9 in.)	1.45 m (4 ft. 9 in.)	1.45 m (4 ft. 9 in.)	1.45 m (4 ft. 9 in.)
<b>E</b> Wheelbase	2.93 m (9 ft. 7 in.)	2.93 m (9 ft. 7 in.)	2.93 m (9 ft. 7 in.)	2.93 m (9 ft. 7 in.)	2.93 m (9 ft. 7 in.)	2.93 m (9 ft. 7 in.)	2.93 m (9 ft. 7 in.)	2.93 m (9 ft. 7 in.)
<b>F</b> Overall Length, Bucket on Ground	7.47 m (24 ft. 6 in.)	7.56 m (24 ft. 9 in.)	7.80 m (25 ft. 7 in.)	7.88 m (25 ft. 10 in.)	7.47 m (24 ft. 6 in.)	7.56 m (24 ft. 10 in.)	7.80 m (25 ft. 7 in.)	7.88 m (25 ft. 10 in.)
<b>G</b> Height to Hinge Pin, Fully Raised	3.83 m (12 ft. 7 in.)	3.83 m (12 ft. 7 in.)	4.19 m (13 ft. 9 in.)	4.19 m (13 ft. 9 in.)	3.83 m (12 ft. 7 in.)	3.83 m (12 ft. 7 in.)	4.18 m (13 ft. 9 in.)	4.18 m (13 ft. 9 in.)
<b>H</b> Dump Clearance, 45 deg., Full Height	2.84 m (9 ft. 4 in.)	2.78 m (9 ft. 1 in.)	3.19 m (10 ft. 5 in.)	3.13 m (10 ft. 3 in.)	2.84 m (9 ft. 4 in.)	2.78 m (9 ft. 1 in.)	3.19 m (10 ft. 5 in.)	3.13 m (10 ft. 3 in.)
<b>I</b> Reach, 45-deg. Dump, Full Height	0.92 m (3 ft. 0 in.)	0.98 m (3 ft. 2 in.)	0.92 m (3 ft. 0 in.)	0.98 m (3 ft. 2 in.)	0.93 m (3 ft. 1 in.)	0.99 m (3 ft. 3 in.)	0.93 m (3 ft. 1 in.)	0.99 m (3 ft. 3 in.)
<b>J</b> Reach, 45-deg. Dump, 2.13-m (7 ft. 0 in.) Clearance	1.44 m (4 ft. 9 in.)	1.46 m (4 ft. 10 in.)	1.73 m (5 ft. 8 in.)	1.76 m (5 ft. 9 in.)	1.44 m (4 ft. 9 in.)	1.47 m (4 ft. 10 in.)	1.74 m (5 ft. 8 in.)	1.77 m (5 ft. 10 in.)
<b>K</b> Maximum Digging Depth	80 mm (3.1 in.)	87 mm (3.4 in.)	161 mm (6.4 in.)	168 mm (6.6 in.)	80 mm (3.2 in.)	87 mm (3.4 in.)	162 mm (6.4 in.)	169 mm (6.6 in.)
<b>L</b> Maximum Rollback at Ground Level	42 deg.	42 deg.	37 deg.	37 deg.	42 deg.	42 deg.	37 deg.	37 deg.
<b>M</b> Maximum Rollback, Boom Fully Raised	55 deg.	55 deg.	50 deg.	50 deg.	55 deg.	55 deg.	50 deg.	50 deg.
<b>N</b> Maximum Bucket Dump Angle, Fully Raised	49 deg.	49 deg.	45 deg.	45 deg.	49 deg.	49 deg.	45 deg.	45 deg.
Loader Clearance Circle, Bucket Carry Position	11.57 m (37 ft. 11 in.)	11.62 m (38 ft. 1 in.)	11.88 m (39 ft. 0 in.)	11.94 m (39 ft. 2 in.)	11.57 m (38 ft. 0 in.)	11.62 m (38 ft. 1 in.)	11.88 m (39 ft. 0 in.)	11.94 m (39 ft. 2 in.)
<b>Specifications With Bucket With Bolt-On Edge</b>								
Capacity, Heaped	2.1 m <sup>3</sup> (2.75 cu. yd.)	2.3 m <sup>3</sup> (3.0 cu. yd.)	2.1 m <sup>3</sup> (2.75 cu. yd.)	2.3 m <sup>3</sup> (3.0 cu. yd.)	2.1 m <sup>3</sup> (2.75 cu. yd.)	2.3 m <sup>3</sup> (3.0 cu. yd.)	2.1 m <sup>3</sup> (2.75 cu. yd.)	2.3 m <sup>3</sup> (3.0 cu. yd.)
Capacity, Struck	1.7 m <sup>3</sup> (2.2 cu. yd.)	2.0 m <sup>3</sup> (2.6 cu. yd.)	1.7 m <sup>3</sup> (2.2 cu. yd.)	2.0 m <sup>3</sup> (2.6 cu. yd.)	1.7 m <sup>3</sup> (2.2 cu. yd.)	2.0 m <sup>3</sup> (2.6 cu. yd.)	1.7 m <sup>3</sup> (2.2 cu. yd.)	2.0 m <sup>3</sup> (2.6 cu. yd.)
Bucket Weight With Bolt-On Cutting Edge	1014 kg (2,235 lb.)	1070 kg (2,359 lb.)	1014 kg (2,235 lb.)	1070 kg (2,359 lb.)	1014 kg (2,235 lb.)	1070 kg (2,359 lb.)	1014 kg (2,235 lb.)	1070 kg (2,359 lb.)
Bucket Width	2.55 m (8 ft. 4 in.)		2.55 m (8 ft. 4 in.)		2.55 m (8 ft. 4 in.)		2.55 m (8 ft. 4 in.)	
Breakout Force	10 916 kg (24,066 lb.)	10 114 kg (22,299 lb.)	10 092 kg (22,248 lb.)	9348 kg (20,609 lb.)	10 916 kg (24,067 lb.)	10 115 kg (22,299 lb.)	10 092 kg (22,250 lb.)	9349 kg (20,611 lb.)
Tipping Load, Straight, No Tire Deflection	11 220 kg (24,735 lb.)	11 085 kg (24,439 lb.)	9591 kg (21,144 lb.)	9463 kg (20,863 lb.)	11 271 kg (24,849 lb.)	11 136 kg (24,552 lb.)	9673 kg (21,326 lb.)	9545 kg (21,044 lb.)
Tipping Load, Straight, With Tire Deflection	10 608 kg (23,387 lb.)	10 470 kg (23,082 lb.)	9123 kg (20,113 lb.)	8994 kg (19,828 lb.)	10 668 kg (23,519 lb.)	10 530 kg (23,215 lb.)	9210 kg (20,305 lb.)	9081 kg (20,020 lb.)
Tipping Load, 40-deg. Full Turn, No Tire Deflection	9701 kg (21,388 lb.)	9577 kg (21,113 lb.)	8269 kg (18,231 lb.)	8151 kg (17,970 lb.)	9770 kg (21,540 lb.)	9646 kg (21,265 lb.)	8363 kg (18,437 lb.)	8244 kg (18,175 lb.)
Tipping Load, 40-deg. Full Turn, With Tire Deflection	8919 kg (19,663 lb.)	8793 kg (19,385 lb.)	7662 kg (16,892 lb.)	7542 kg (16,627 lb.)	9003 kg (19,848 lb.)	8874 kg (19,564 lb.)	7767 kg (17,123 lb.)	7644 kg (16,852 lb.)
Rated Operating Load, 50% Full-Turn Tipping Load, No Tire Deflection (conforms to ISO 14397-1)*	4851 kg (10,694 lb.)	4788 kg (10,557 lb.)	4135 kg (9,115 lb.)	4075 kg (8,985 lb.)	4885 kg (10,770 lb.)	4823 kg (10,632 lb.)	4181 kg (9,218 lb.)	4122 kg (9,087 lb.)
Rated Operating Load, 50% Full-Turn Tipping Load, With Tire Deflection (conforms to ISO 14397-1)*	4460 kg (9,832 lb.)	4397 kg (9,693 lb.)	3831 kg (8,446 lb.)	3771 kg (8,314 lb.)	4502 kg (9,924 lb.)	4437 kg (9,782 lb.)	3884 kg (8,562 lb.)	3822 kg (8,426 lb.)
Operating Weight	12 688 kg (27,971 lb.)	12 744 kg (28,096 lb.)	12 786 kg (28,189 lb.)	12 843 kg (28,314 lb.)	12 993 kg (28,646 lb.)	13 050 kg (28,771 lb.)	13 116 kg (29,042 lb.)	13 173 kg (29,042 lb.)

Loader operating information is based on machine with identified linkage and standard equipment, John Deere PowerTech E 6068H/PowerTech PVS 6068 engine, ROPS cab, rear cast bumper/counterweight, transmission side-frame guards, bottom guards, standard tires, full fuel tank, and 79-kg (175 lb.) operator. This information is affected by changes in tires, ballast, and different attachments.

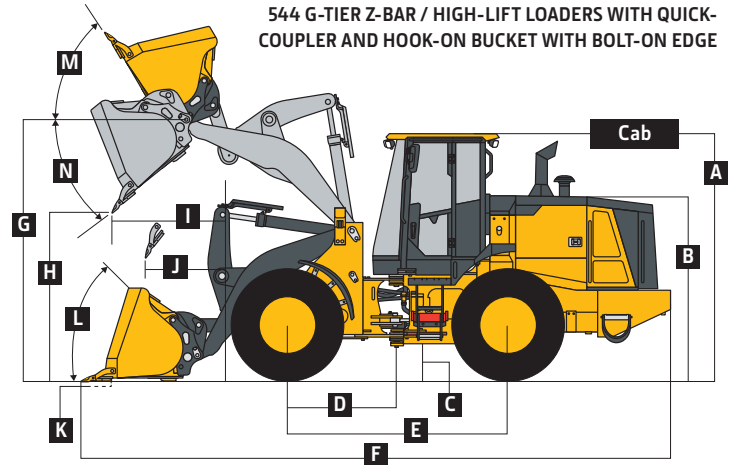
\*Rated operating capacity based on Deere attachments only.

# 544 G-TIER

While general information, pictures, and descriptions are provided, some illustrations and text may include product options and accessories NOT AVAILABLE in all regions, and in some countries products and accessories may require modifications or additions to ensure compliance with the local regulations of those countries.

Dimensions and Specifications With Hi-Vis Coupler and Hook-On Bucket With Bolt-On Edge

544 G Z-BAR / HIGH-LIFT TIER 3 / FT4



Key: General-Purpose (GP)

	544 G Z-Bar Tier 3		544 G High-Lift Tier 3		544 G Z-Bar FT4		544 G High-Lift FT4	
Dimensions With Bucket With Bolt-On Edge (illustration above right)	2.1-m <sup>3</sup> (2.75 cu. yd.) GP	2.3-m <sup>3</sup> (3.00 cu. yd.) GP	2.1-m <sup>3</sup> (2.75 cu. yd.) GP	2.3-m <sup>3</sup> (3.00 cu. yd.) GP	2.1-m <sup>3</sup> (2.75 cu. yd.) GP	2.3-m <sup>3</sup> (3.00 cu. yd.) GP	2.1-m <sup>3</sup> (2.75 cu. yd.) GP	2.3-m <sup>3</sup> (3.00 cu. yd.) GP
A Height to Top of Cab	3.27 m (10 ft. 9 in.)	3.27 m (10 ft. 9 in.)	3.27 m (10 ft. 9 in.)	3.27 m (10 ft. 9 in.)	3.27 m (10 ft. 9 in.)	3.27 m (10 ft. 9 in.)	3.27 m (10 ft. 9 in.)	3.27 m (10 ft. 9 in.)
B Hood Height	2.43 m (7 ft. 11 in.)	2.43 m (7 ft. 11 in.)	2.43 m (7 ft. 11 in.)	2.43 m (7 ft. 11 in.)	2.43 m (7 ft. 11 in.)	2.43 m (7 ft. 11 in.)	2.43 m (7 ft. 11 in.)	2.43 m (7 ft. 11 in.)
C Ground Clearance	0.41 m (16.1 in.)	0.41 m (16.1 in.)	0.41 m (16.1 in.)	0.41 m (16.1 in.)	0.41 m (16.1 in.)	0.41 m (16.1 in.)	0.41 m (16.1 in.)	0.41 m (16.1 in.)
D Length From Centerline to Front Axle	1.45 m (4 ft. 9 in.)	1.45 m (4 ft. 9 in.)	1.45 m (4 ft. 9 in.)	1.45 m (4 ft. 9 in.)	1.45 m (4 ft. 9 in.)	1.45 m (4 ft. 9 in.)	1.45 m (4 ft. 9 in.)	1.45 m (4 ft. 9 in.)
E Wheelbase	2.93 m (9 ft. 7 in.)	2.93 m (9 ft. 7 in.)	2.93 m (9 ft. 7 in.)	2.93 m (9 ft. 7 in.)	2.93 m (9 ft. 7 in.)	2.93 m (9 ft. 7 in.)	2.93 m (9 ft. 7 in.)	2.93 m (9 ft. 7 in.)
F Overall Length, Bucket on Ground	7.71 m (25 ft. 3 in.)	8.03 m (26 ft. 4 in.)	8.03 m (26 ft. 4 in.)	8.03 m (26 ft. 4 in.)	7.71 m (25 ft. 3 in.)	8.03 m (26 ft. 4 in.)	8.03 m (26 ft. 4 in.)	8.03 m (26 ft. 4 in.)
G Height to Hinge Pin, Fully Raised	3.83 m (12 ft. 7 in.)	4.19 m (13 ft. 9 in.)	4.19 m (13 ft. 9 in.)	4.19 m (13 ft. 9 in.)	3.83 m (12 ft. 7 in.)	4.18 m (13 ft. 9 in.)	4.18 m (13 ft. 9 in.)	4.18 m (13 ft. 9 in.)
H Dump Clearance, 45 deg., Full Height	2.67 m (8 ft. 9 in.)	3.03 m (9 ft. 11 in.)	3.03 m (9 ft. 11 in.)	3.03 m (9 ft. 11 in.)	2.67 m (8 ft. 9 in.)	3.02 m (9 ft. 11 in.)	3.02 m (9 ft. 11 in.)	3.02 m (9 ft. 11 in.)
I Reach, 45-deg. Dump, Full Height	1.04 m (3 ft. 5 in.)	1.04 m (3 ft. 5 in.)	1.04 m (3 ft. 5 in.)	1.04 m (3 ft. 5 in.)	1.05 m (3 ft. 5 in.)	1.05 m (3 ft. 5 in.)	1.05 m (3 ft. 5 in.)	1.05 m (3 ft. 5 in.)
J Reach, 45-deg. Dump, 2.13-m (7 ft. 0 in.) Clearance	1.47 m (4 ft. 10 in.)	1.77 m (5 ft. 10 in.)	1.77 m (5 ft. 10 in.)	1.77 m (5 ft. 10 in.)	1.48 m (4 ft. 10 in.)	1.78 m (5 ft. 10 in.)	1.78 m (5 ft. 10 in.)	1.78 m (5 ft. 10 in.)
K Maximum Digging Depth	127 mm (5.0 in.)	127 mm (5.0 in.)	209 mm (8.2 in.)	209 mm (8.2 in.)	128 mm (5.0 in.)	128 mm (5.0 in.)	210 mm (8.3 in.)	210 mm (8.3 in.)
L Maximum Rollback at Ground Level	41 deg.	41 deg.	41 deg.	41 deg.	41 deg.	41 deg.	41 deg.	41 deg.
M Maximum Rollback, Boom Fully Raised	54 deg.	54 deg.	48 deg.	48 deg.	54 deg.	54 deg.	48 deg.	48 deg.
N Maximum Bucket Dump Angle, Fully Raised	51 deg.	51 deg.	46 deg.	46 deg.	51 deg.	51 deg.	46 deg.	46 deg.
Loader Clearance Circle, Bucket Carry Position	11.68 m (38 ft. 4 in.)	11.80 m (38 ft. 9 in.)	12.02 m (39 ft. 5 in.)	12.14 m (39 ft. 10 in.)	11.68 m (38 ft. 4 in.)	11.80 m (38 ft. 9 in.)	12.02 m (39 ft. 5 in.)	12.14 m (39 ft. 10 in.)
<b>Specifications With Bucket With Bolt-On Edge</b>								
Capacity, Heaped	2.1 m <sup>3</sup> (2.75 cu. yd.)	2.3 m <sup>3</sup> (3.0 cu. yd.)	2.1 m <sup>3</sup> (2.75 cu. yd.)	2.3 m <sup>3</sup> (3.0 cu. yd.)	2.1 m <sup>3</sup> (2.75 cu. yd.)	2.3 m <sup>3</sup> (3.0 cu. yd.)	2.1 m <sup>3</sup> (2.75 cu. yd.)	2.3 m <sup>3</sup> (3.0 cu. yd.)
Capacity, Struck	1.7 m <sup>3</sup> (2.2 cu. yd.)	2.0 m <sup>3</sup> (2.6 cu. yd.)	1.7 m <sup>3</sup> (2.2 cu. yd.)	2.0 m <sup>3</sup> (2.6 cu. yd.)	1.7 m <sup>3</sup> (2.2 cu. yd.)	2.0 m <sup>3</sup> (2.6 cu. yd.)	1.7 m <sup>3</sup> (2.2 cu. yd.)	2.0 m <sup>3</sup> (2.6 cu. yd.)
Bucket Weight With Bolt-On Cutting Edge	1424 kg (3,139 lb.)	1451 kg (3,199 lb.)	1424 kg (3,139 lb.)	1451 kg (3,199 lb.)	1424 kg (3,139 lb.)	1451 kg (3,199 lb.)	1424 kg (3,139 lb.)	1451 kg (3,199 lb.)
Bucket Width	2.55 m (8 ft. 4 in.)	2.69 m (8 ft. 10 in.)	2.55 m (8 ft. 4 in.)	2.69 m (8 ft. 10 in.)	2.55 m (8 ft. 4 in.)	2.69 m (8 ft. 10 in.)	2.55 m (8 ft. 4 in.)	2.69 m (8 ft. 10 in.)
Breakout Force	9015 kg (19,875 lb.)	8998 kg (19,836 lb.)	8313 kg (18,328 lb.)	8295 kg (18,288 lb.)	9015 kg (19,875 lb.)	8998 kg (19,836 lb.)	8314 kg (18,329 lb.)	8296 kg (18,290 lb.)
Tipping Load, Straight, No Tire Deflection	9911 kg (21,850 lb.)	9880 kg (21,782 lb.)	8487 kg (18,711 lb.)	8456 kg (18,642 lb.)	9957 kg (21,952 lb.)	9927 kg (21,884 lb.)	8562 kg (18,876 lb.)	8531 kg (18,807 lb.)
Tipping Load, Straight, With Tire Deflection	9375 kg (20,668 lb.)	9345 kg (20,602 lb.)	8067 kg (17,785 lb.)	8037 kg (17,719 lb.)	9429 kg (20,787 lb.)	9399 kg (20,721 lb.)	8151 kg (17,970 lb.)	8118 kg (17,897 lb.)
Tipping Load, 40-deg. Full Turn, No Tire Deflection	8515 kg (18,772 lb.)	8484 kg (18,705 lb.)	7262 kg (16,009 lb.)	7231 kg (15,941 lb.)	8577 kg (18,910 lb.)	8547 kg (18,842 lb.)	7347 kg (16,197 lb.)	7316 kg (16,129 lb.)
Tipping Load, 40-deg. Full Turn, With Tire Deflection	7827 kg (17,256 lb.)	7794 kg (17,183 lb.)	6714 kg (14,802 lb.)	6687 kg (14,742 lb.)	7902 kg (17,421 lb.)	7872 kg (17,355 lb.)	6813 kg (15,020 lb.)	6783 kg (14,954 lb.)
Rated Operating Load, 50% Full-Turn Tipping Load, No Tire Deflection (conforms to ISO 14397-1)*	4257 kg (9,386 lb.)	4242 kg (9,352 lb.)	3631 kg (8,005 lb.)	3615 kg (7,971 lb.)	4289 kg (9,455 lb.)	4273 kg (9,421 lb.)	3673 kg (8,098 lb.)	3658 kg (8,064 lb.)
Rated Operating Load, 50% Full-Turn Tipping Load, With Tire Deflection (conforms to ISO 14397-1)*	3914 kg (8,628 lb.)	3897 kg (8,591 lb.)	3357 kg (7,401 lb.)	3344 kg (7,371 lb.)	3951 kg (8,710 lb.)	3936 kg (8,677 lb.)	3407 kg (7,510 lb.)	3392 kg (7,477 lb.)
Operating Weight	13 097 kg (28,874 lb.)	13 125 kg (28,935 lb.)	13 196 kg (29,092 lb.)	13 223 kg (29,152 lb.)	13 405 kg (29,554 lb.)	13 433 kg (29,614 lb.)	13 529 kg (29,826 lb.)	13 556 kg (29,886 lb.)

Loader operating information is based on machine with identified linkage and standard equipment, John Deere PowerTech E 6068H/PowerTech PVS 6068 engine, ROPS cab, rear cast bumper/counterweight, transmission side-frame guards, bottom guards, standard tires, full fuel tank, and 79-kg (175 lb.) operator. This information is affected by changes in tires, ballast, and different attachments.

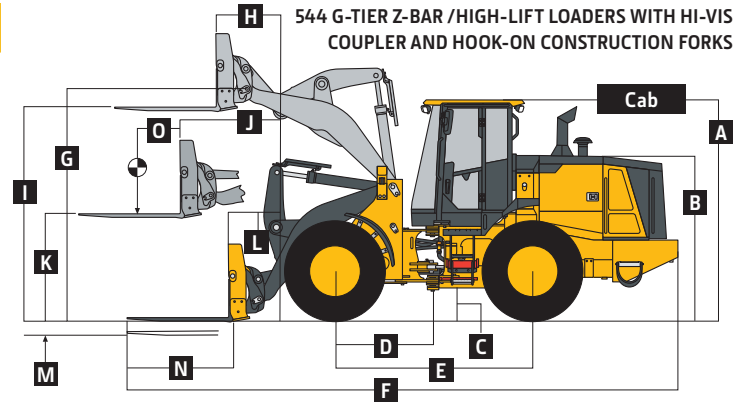
\*Rated operating capacity based on Deere attachments only.



While general information, pictures, and descriptions are provided, some illustrations and text may include product options and accessories NOT AVAILABLE in all regions, and in some countries products and accessories may require modifications or additions to ensure compliance with the local regulations of those countries.

# 544 G-TIER

**Dimensions and Specifications With Hi-Vis Coupler and Construction Forks** **544 G Z-BAR / HIGH-LIFT TIER 3 / FT4**



	544 G Z-Bar Tier 3	544 G High-Lift Tier 3	544 G Z-Bar FT4	544 G High-Lift FT4
<b>Dimensions With Forks (illustration above right)</b>	1.52-m (60 in.) tine length	1.52-m (60 in.) tine length	1.52-m (60 in.) tine length	1.52-m (60 in.) tine length
<b>A</b> Height to Top of Cab	3.27 m (10 ft. 9 in.)	3.27 m (10 ft. 9 in.)	3.27 m (10 ft. 9 in.)	3.27 m (10 ft. 9 in.)
<b>B</b> Hood Height	2.43 m (7 ft. 11 in.)	2.43 m (7 ft. 11 in.)	2.43 m (7 ft. 11 in.)	2.43 m (7 ft. 11 in.)
<b>C</b> Ground Clearance	0.40 m (16.1 in.)	0.40 m (16.1 in.)	0.40 m (16.1 in.)	0.40 m (16.1 in.)
<b>D</b> Length From Centerline to Front Axle	1.45 m (4 ft. 9 in.)	1.45 m (4 ft. 9 in.)	1.45 m (4 ft. 9 in.)	1.45 m (4 ft. 9 in.)
<b>E</b> Wheelbase	2.93 m (9 ft. 7 in.)	2.93 m (9 ft. 7 in.)	2.93 m (9 ft. 7 in.)	2.93 m (9 ft. 7 in.)
<b>F</b> Overall Length, Forks on Ground	8.42 m (27 ft. 7 in.)	8.74 m (28 ft. 8 in.)	8.42 m (27 ft. 7 in.)	8.74 m (28 ft. 8 in.)
<b>G</b> Height to Hinge Pin, Fully Raised	3.83 m (12 ft. 7 in.)	4.19 m (13 ft. 9 in.)	3.83 m (12 ft. 7 in.)	4.18 m (13 ft. 9 in.)
<b>H</b> Reach, Fully Raised	0.79 m (31.1 in.)	0.79 m (31.1 in.)	0.80 m (31.5 in.)	0.80 m (31.5 in.)
<b>I</b> Fork Height, Fully Raised	3.49 m (11 ft. 5 in.)	3.84 m (12 ft. 7 in.)	3.49 m (11 ft. 5 in.)	3.84 m (12 ft. 7 in.)
<b>J</b> Maximum Reach, Fork Level	1.58 m (5 ft. 2 in.)	1.85 m (6 ft. 1 in.)	1.59 m (5 ft. 3 in.)	1.86 m (6 ft. 1 in.)
<b>K</b> Fork Height, Maximum Reach	1.62 m (5 ft. 4 in.)	1.62 m (5 ft. 4 in.)	1.62 m (5 ft. 4 in.)	1.62 m (5 ft. 4 in.)
<b>L</b> Reach, Ground Level	1.04 m (3 ft. 5 in.)	1.36 m (4 ft. 6 in.)	1.05 m (3 ft. 5 in.)	1.37 m (4 ft. 6 in.)
<b>M</b> Depth Below Ground	0.12 m (5 in.)	0.20 m (8 in.)	0.12 m (5 in.)	0.20 m (8 in.)
<b>N</b> Tine Length	1.52 m (60 in.)	1.52 m (60 in.)	1.52 m (60 in.)	1.52 m (60 in.)
<b>O</b> Load Position, 50% Tine Length	0.76 m (30 in.)	0.76 m (30 in.)	0.76 m (30 in.)	0.76 m (30 in.)

**Specifications With Forks**

Tipping Load, Straight, No Tire Deflection	6976 kg (15,379 lb.)	6288 kg (13,863 lb.)	7008 kg (15,450 lb.)	6344 kg (13,986 lb.)
Tipping Load, Straight, With Tire Deflection	6792 kg (14,974 lb.)	6123 kg (13,499 lb.)	6828 kg (15,053 lb.)	6186 kg (13,638 lb.)
Tipping Load, 40-deg. Full Turn, No Tire Deflection	5991 kg (13,208 lb.)	5380 kg (11,861 lb.)	6035 kg (13,305 lb.)	5444 kg (12,002 lb.)
Tipping Load, 40-deg. Full Turn, With Tire Deflection	5736 kg (12,646 lb.)	5160 kg (11,376 lb.)	5790 kg (12,765 lb.)	5223 kg (11,515 lb.)
Rated Operating Load, 50% Full-Turn Tipping Load, With Tire Deflection (conforms to ISO 14397-1 and SAE J1197)*	2868 kg (6,323 lb.)	2580 kg (5,688 lb.)	2895 kg (6,382 lb.)	2612 kg (5,757 lb.)
Rated Operating Load, Rough Terrain, 60% Full-Turn Tipping Load, With Tire Deflection (conforms to EN474-3)*	3442 kg (7,587 lb.)	3096 kg (6,826 lb.)	3474 kg (7,659 lb.)	3134 kg (6,909 lb.)
Rated Operating Load, Firm and Level Ground, 80% Full-Turn Tipping Load, With Tire Deflection (conforms to EN474-3)*	4589 kg (10,117 lb.)	4128 kg (9,101 lb.)	4632 kg (10,212 lb.)	4178 kg (9,212 lb.)
Operating Weight	12 993 kg (28,646 lb.)	13 092 kg (28,863 lb.)	13 299 kg (29,320 lb.)	13 422 kg (29,591 lb.)

Loader operating information is based on machine with identified linkage and standard equipment, John Deere PowerTech E 6068H/PowerTech PVS 6068 engine, ROPS cab, rear cast bumper/counterweight, transmission side-frame guards, bottom guards, standard tires, full fuel tank, and 79-kg (175 lb.) operator. This information is affected by changes in tires, ballast, and different attachments.

\*Rated operating capacity based on Deere attachments only.

**544 G Z-BAR / HIGH-LIFT TIER 3 Adjustments to Operating Weights and Tipping Loads With Buckets**

Adjustments to operating weights, tipping loads, and tires are based on Z-Bar machine with pin-on 2.3-m<sup>3</sup> (3.0 cu. yd.) general-purpose bucket with bolt-on cutting edge, ROPS cab, rear cast bumper/counterweight, transmission side-frame guards, bottom guards, standard tires, full fuel tank, and 79-kg (175 lb.) operator\*

Add (+) or deduct (-) kg (lb.) as indicated	Operating Weight	Tipping Load,		Tread Width	Width Over Tires	Vertical Height
		Straight	40-deg. Full Turn			
for loaders with 3-piece rims						
MAXAM 20.5 R 25, 2 Stars L-3	+ 274 kg (+ 604 lb.)	+ 207 kg (+ 457 lb.)	+ 183 kg (+ 403 lb.)	0 mm (0 in.)	- 10 mm (- 0.4 in.)	+ 17 mm (+ 0.7 in.)
MAXAM 20.5 R 25, 2 Stars L-2	+ 274 kg (+ 604 lb.)	+ 199 kg (+ 438 lb.)	+ 175 kg (+ 387 lb.)	0 mm (0 in.)	- 10 mm (- 0.4 in.)	+ 7 mm (+ 0.3 in.)

\*May change based on vehicle configuration, weight, or tire-pressure adjustments.

**544 G Z-BAR / HIGH-LIFT FT4 Adjustments to Operating Weights and Tipping Loads With Buckets**

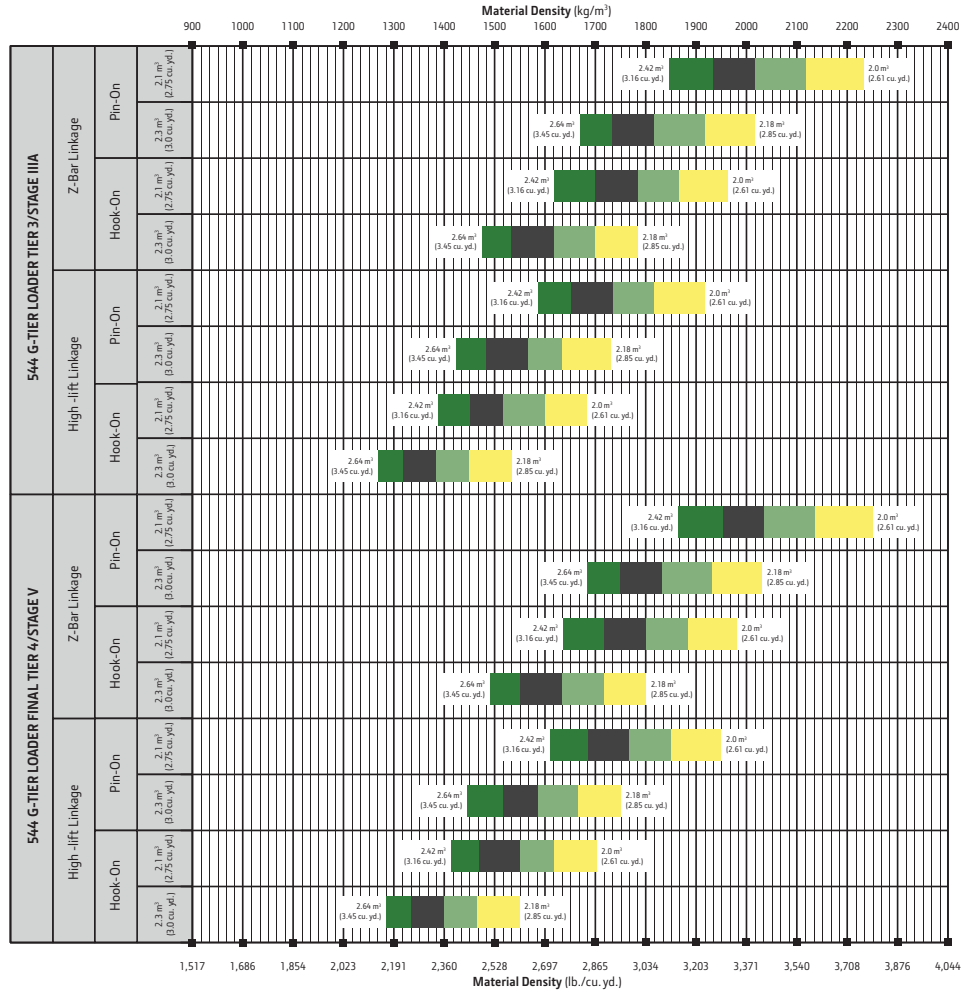
Adjustments to operating weights, tipping loads, and tires are based on Z-Bar machine with pin-on 2.3-m<sup>3</sup> (3.0 cu. yd.) general-purpose bucket with bolt-on cutting edge, ROPS cab, rear cast bumper/counterweight, transmission side-frame guards, bottom guards, standard tires, full fuel tank, and 79-kg (175 lb.) operator\*

Add (+) or deduct (-) kg (lb.) as indicated	Operating Weight	Tipping Load,		Tread Width	Width Over Tires	Vertical Height
		Straight	40-deg. Full Turn			
for loaders with 3-piece rims						
MAXAM 20.5 R 25, 2 Stars L-3	+ 72 kg (+ 159 lb.)	+ 56 kg (+ 124 lb.)	+ 50 kg (+ 110 lb.)	0 mm (0 in.)	+ 2 mm (+ 0.1 in.)	+ 14 mm (+ 0.6 in.)
MAXAM 20.5 R 25, 2 Stars L-2	+ 72 kg (+ 159 lb.)	+ 48 kg (+ 106 lb.)	+ 42 kg (+ 94 lb.)	0 mm (0 in.)	+ 2 mm (+ 0.1 in.)	+ 4 mm (+ 0.2 in.)

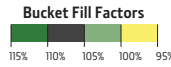
\*May change based on vehicle configuration, weight, or tire-pressure adjustments.

While general information, pictures, and descriptions are provided, some illustrations and text may include product options and accessories NOT AVAILABLE in all regions, and in some countries products and accessories may require modifications or additions to ensure compliance with the local regulations of those countries.

## 544 G Z-BAR / HIGH-LIFT TIER 3 / FT4 Bucket Selection Guides\*



LOOSE MATERIALS	kg/m³	lb./cu. yd.	LOOSE MATERIALS	kg/m³	lb./cu. yd.
Chips, pulpwood	288	486	Limestone, coarse, sized	1570	2,646
Cinders (coal, ashes, clinkers)	673	1,134	Limestone, mixed sizes	1682	2,835
Clay and gravel, dry	1602	2,700	Limestone, pulverized or crushed	1362	2,295
Clay, compact, solid	1746	2,943	Sand, damp	2083	3,510
Clay, dry in lump loose	1009	1,701	Sand, dry	1762	2,970
Clay, excavated in water	1282	2,160	Sand, voids, full of water	2083	3,510
Coal, anthracite, broken, loose	865	1,458	Sandstone, quarried	1314	2,214
Coal, bituminous, moderately wet	801	1,350	Shale, broken crushed	1362	2,295
Earth, common loam, dry	1218	2,052	Slag, furnace granulated	1955	3,294
Earth, mud, packed	1843	3,105	Stone or gravel, 37.5 to 87.5-mm (1.5 to 3.5 in.) size	1442	2,430
Granite, broken	1538	2,592	Stone or gravel, 18.75-mm (0.75 in.) size	1602	2,700
Gypsum	2275	3,834			





# Additional equipment

Key: ● Standard ▲ Optional or special  
See your John Deere dealer for further information.

## 544 G Engine

- Wet-sleeve cylinder liners
- Programmable auto-idle and auto shutdown
- Starter excessive-cranking protection
- Automatic engine cool-down timer
- Automatic derating for exceeded system temperatures
- Serpentine drive belt for automatic tensioner
- Electrical fuel-priming pump
- Dual-stage fuel filter and water separator
- 500-hour vertical spin-on oil filter
- Automatic glow plugs for cold start
- ▲ Engine-block heater (recommended for cold starts below -23 deg. C [-10 deg. F])
- ▲ Centrifugal engine air pre-cleaner

## Powertrain

- Clutch cutoff with 3 operator settings: Level ground, small slope, or steep slope
- Clutch calibration engaged from monitor
- 2,000-hour vertical spin-on transmission filter
- Transmission fill tube and sight gauge
- 5-speed transmission with non-lockup torque converter
- ▲ Front locking differential
- Brake retractors and adjusters

## Cooling System

- Isolated from engine compartment
- Engine radiator
- Engine oil cooler
- Hydraulic oil cooler (oil to air)
- Transmission oil cooler (oil to air)
- Charge air cooler (air to air)
- Coolant recovery tank
- Antifreeze, -47 deg. C (-52 deg. F)
- Cool-on-demand, hydraulically driven fan
- Enclosed fan safety guard
- ▲ Automatic reversing fan drive

## Hydraulics

- Pilot hydraulic controls
- Automatic return-to-dig bucket positioner
- In-cab adjustable automatic boom-height kickout/return to carry
- Reservoir with sight gauge and fill strainer
- Hydraulic diagnostic ports
- 4,000-hour in-tank filter
- 2 function — joystick with F-N-R
- ▲ 2 function — 2-lever fingertip controls and steering column F-N-R
- ▲ 3 function — joystick with F-N-R and 3rd-function auxiliary lever
- ▲ 4 function — joystick with F-N-R and 3rd- and 4th-function auxiliary levers

## 544 G Hydraulics (continued)

- ▲ Ride control, automatic with monitor-adjustable speed settings
- ▲ Hydraulic control system for quick-coupler locking pins
- ▲ Hydrau™ XR cold-temperature hydraulic fluid recommended below -25 deg. C (-13 deg. F)

## Steering Systems

- Conventional steering wheel with spinner knob
- ▲ Secondary steering

## Electrical

- Solid-state electrical power-distribution system
- Lockable master electrical-disconnect switch
- Battery-terminal safety covers
- Pre-wired for beacon/strobe light
- ▲ Rotary beacon
- Lights: Halogen driving lights (2) / Front (2) and rear cab (2) / Halogen front turn signals and flashers / LED stop- and taillights
- Horn, electric
- Reverse warning alarm
- Multifunction/multi-language 127-mm (5 in.) LCD color monitor includes: Digital instruments — Analog display (engine coolant temperature and transmission oil temperature) / Digital display (engine rpm, transmission gear/direction indicator, hour meter, fuel level, diesel exhaust fluid (DEF) level, speedometer, and average fuel consumption)
- Indicator lights: Standard and selected options / Amber caution and red stop
- Operator-warning messages
- Built-in diagnostics: Diagnostic-code details / Sensor values / Calibrations / Individual circuit tester
- Radio ready
- ▲ AM/FM radio
- 24- to 12-volt, 15-amp converter and cab power port

## Operator's Station

- Cab with air conditioning/heater (ROPS/FOPS Level 2, isolation mounted)
- Keyless start with multiple security modes
- Sealed-switch module with function indicators
- Seat with headrest extension, fabric cover, and adjustable mechanical suspension
- ▲ Seat with headrest extension, fabric cover, and adjustable air suspension
- High-visibility, bright-orange seat belt, 76 mm (3 in.), with retractor
- Cup holder
- Coat hook

## 544 G Operator's Station (continued)

- Dome and reading light
- Rubber floor mat
- Tilt steering column
- Operator's manual storage compartment
- Outside (2) and inside (1) rearview mirrors
- ▲ Heated outside mirrors with convex lens
- Left-side operator-station access
- Slip-resistant steps and ergonomic handholds
- Pull-down front sun visor
- Front and rear intermittent windshield wipers and washers
- Rearview camera
- ▲ Fire extinguisher bracket

## Loader Linkage

- Z-Bar loader linkage
- ▲ High-lift linkage

## Buckets and Attachments

- ▲ Full line of Deere pin-on buckets, coupler buckets, and forks
- ▲ Hi-Vis hydraulic coupler that accepts Euro-pattern attachments (ISO)
- ▲ Full line of Deere hook-on buckets and forks
- ▲ John Deere hydraulic coupler that accepts JRB-pattern attachments

## Overall Vehicle

- JDLink™ wireless communication system (available in specific countries; see your dealer for details)
- Front and rear tie-downs
- Rear counterweight with hitch and locking pin
- Articulation locking bar
- Loader boom service locking bar
- 40-deg. steering articulation to each side with rubber-cushion stops on frame
- Vandal protection with lockable engine enclosures, counterweight compartments, and filler access for radiator/fuel/DEF/hydraulic transmission
- Left-side service steps and handholds
- Fuel-tank fill strainer
- Ground-level fuel and DEF fill
- Same-side ground-level daily servicing
- 20.5R25 radial tires on 3-piece rims
- ▲ 20.5R25 bias tires on 3-piece rims
- ▲ 20.5R25 radial snow tires on 3-piece rims
- Fenders, front narrow
- ▲ Fenders, front and rear full width
- ▲ Transmission side-frame and bottom guards
- ▲ Lift eyes
- ▲ License-plate bracket and light

While general information, pictures, and descriptions are provided, some illustrations and text may include product options and accessories NOT AVAILABLE in all regions, and in some countries products and accessories may require modifications or additions to ensure compliance with the local regulations of those countries.

Net engine power is with standard equipment including air cleaner, exhaust system, alternator, and cooling fan at test conditions per ISO 9249. No derating is required up to 3050-m (10,000 ft.) altitude. Specifications and design subject to change without notice. Specifications with the exception of bucket capacity are in accordance with all applicable ISO standards. Except where otherwise noted, these specifications are based on a unit with applicable linkage and standard equipment, ROPS cab, rear cast bumper/counterweight, transmission side-frame guards, bottom guards, standard tires, full fuel tank, and 79-kg (175 lb.) operator.



MW544GAP (22-08)



**JOHN DEERE**