



9305 BACKHOE



FEATURES

Mounts on JD544 Series Loaders

Digging depth (ICED)—13 ft. 11 in. (4.24 m)

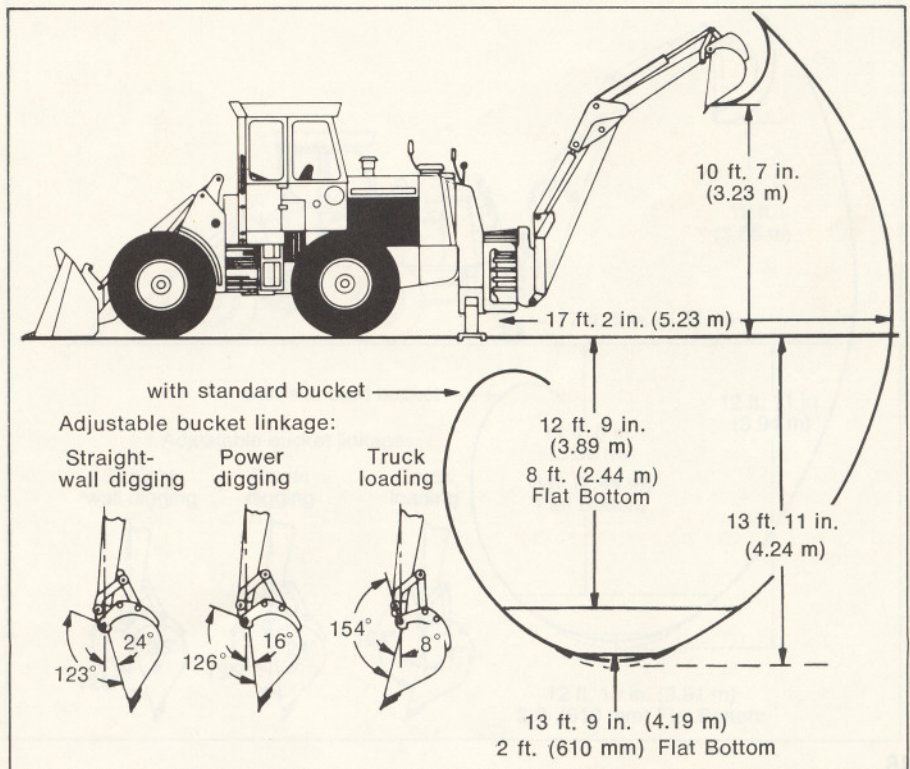
190-degree swing arc, automatic swing brake

1,500-pound (680 kg) boom lift capacity to full height

3,100-pound (1406 kg) dipperstick lift capacity to full height

Choice of 10 buckets

Coordinated two-lever digging control



9305 BACKHOE SPECIFICATIONS

(Specifications and design subject to change without notice. Wherever applicable, specifications are in accordance with ICED and SAE Standards. Except where otherwise noted, these specifications are for a unit equipped with 17.5-25, 12-ply-rating, loader tread tires; and 24 in. (610 mm) standard bucket.)

Operating Information:

Digging depth (ICED):	
Maximum	13 ft. 11 in. (4.24 m)
2-ft (610 mm) flat bottom	13 ft. 9 in. (4.19 m)
8-ft. (2.44 m) flat bottom	12 ft. 9 in. (3.89 m)
Swing arc	190 deg.
Digging force (bucket cylinder), (ICED)	
	9363 lb. (41.97 kN) (4247 kg)
Reach from center of swing mast, (ICED)	17 ft. 2 in. (5.23 m)
Loading height, (ICED)	10 ft. 7 in. (3.23 m)
Transport height	11 ft. 11 in. (3.63 m)

Hydraulic System:

Maximum system pressure	2350 psi (162 bar) (165.2 kg/cm ²)
Pump	26.5 gpm (100 l/min) @ 2400 rpm

Hydraulic Cylinders:

	Bore	Stroke	Rod Diameter
Boom	4.5 in. (114 mm)	34 in. (864 mm)	2.25 in. (57 mm)
Crowd	4 in. (102 mm)	33 in. (838 mm)	2 in. (51 mm)
Bucket	3.5 in. (89 mm)	27.37 in. (695 mm)	2.25 in. (57 mm)
Stabilizer	4 in. (102 mm)	16.62 in. (422 mm)	2 in. (51 mm)
Swing cylinder	Rotary vane, built-in automatic swing brake		
Cylinder rods	Ground, heat-treated, chrome-plated, polished		

Stabilizer Width:

Transport position	7 ft. 3 in. (2.21 m)
Operating position (overall)	10 ft. (3.05 m)
Operating position (ICED)	9 ft. 1 in. (2.77 m)

Buckets:	Width		Struck Capacity		Weight	
	in.	mm	cu. ft.	m ³	lb.	kg.
Standard	12	305	2.5	0.071	202	92
	16	406	3.6	0.102	229	104
	18	457	4.4	0.125	300	136
	24	610	6.0	0.170	345	157
	30	762	7.6	0.215	391	177
	36	914	7.2	0.204	406	184
Heavy-duty	18	457	3.6	0.102	351	159
	24	610	4.8	0.136	405	184
	30	762	6.0	0.170	461	209
Ejector	24	610	4.2	0.119	334	152

Attachments:

Ripper tooth replaces backhoe bucket. Cast steel, 225 lb. (102 kg) tooth has hardened replaceable tip. Bolt-on rubber street pads for stabilizer pads.

Shipping Weight:

Exclusive of mounting parts and bucket . . . 3200 lb. (1452 kg)