



REPLACEMENT PART GUIDE

3029HFU20 PowerTech PVX 2.9L Gen Set OEM Engine (Non-Certified)



OIL FILTER

[RE519626](#) (5926, 59AC)

500 hrs of operation or every 12 months.



FUEL FILTER

[RE60021](#) (35JT)

500 hrs of operation or every 12 months.



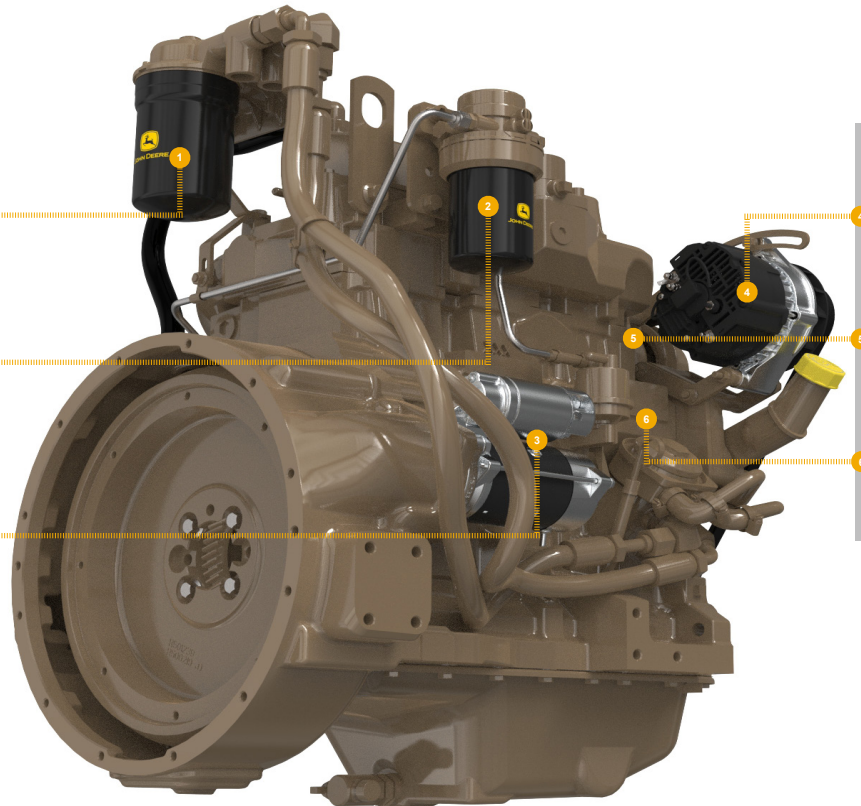
STARTER

[RE519568](#) (12V, 3.2KW) (3085)

[RE546868](#) (12V, 3.2KW) (30BA)

[RE552251](#) (24V, 3.5KW) (30CA)

[RE552252](#) (24V, 3.5KW) (30CB)



ALTERNATOR

[RE509106](#) (14V, 65A) (3132)

[RE544045](#) (28V, 50A) (3131)



FAN BELT

[T24473](#) (LGTH = 1295 mm) (2402)



CRANKSHAFT PULLEY

[DZ108524](#) (OD = 140 mm) (1346)



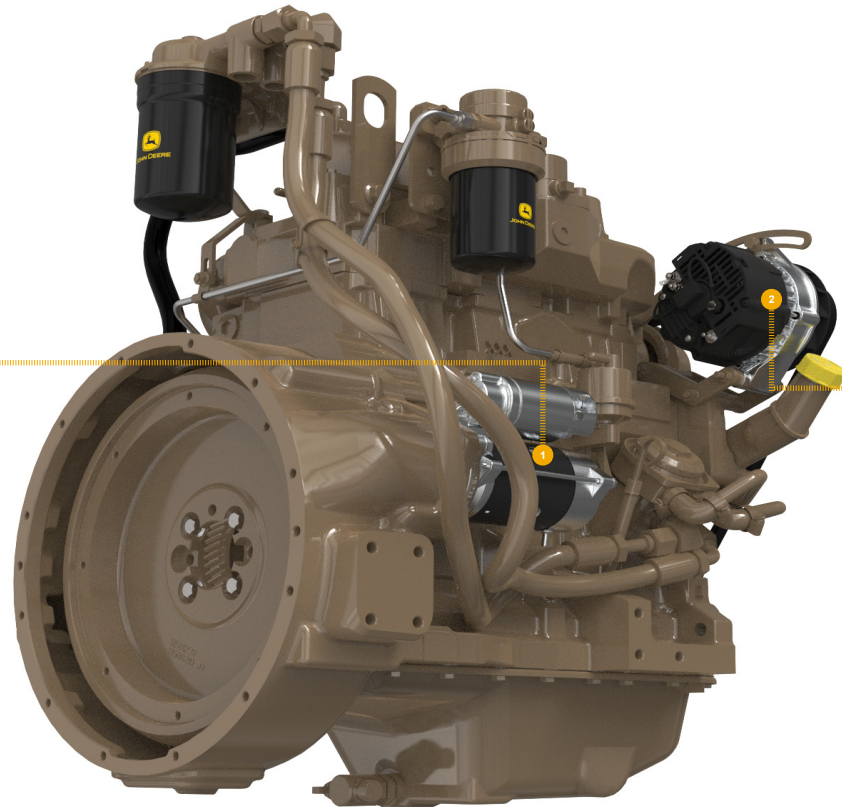
JOHN DEERE

Genuine Parts and Service



REMAN PARTS GUIDE

3029HFU20 PowerTech PVX 2.9L Gen Set OEM Engine (Non-Certified)



STARTER

[SE501869](#) (REMAN FOR [RE519568](#))
(12V, 3.2KW) (3085)



ALTERNATOR

[SE501835](#) (REMAN FOR [RE509106](#))
(14V, 65A) (3132)



JOHN DEERE
Genuine Parts and Service