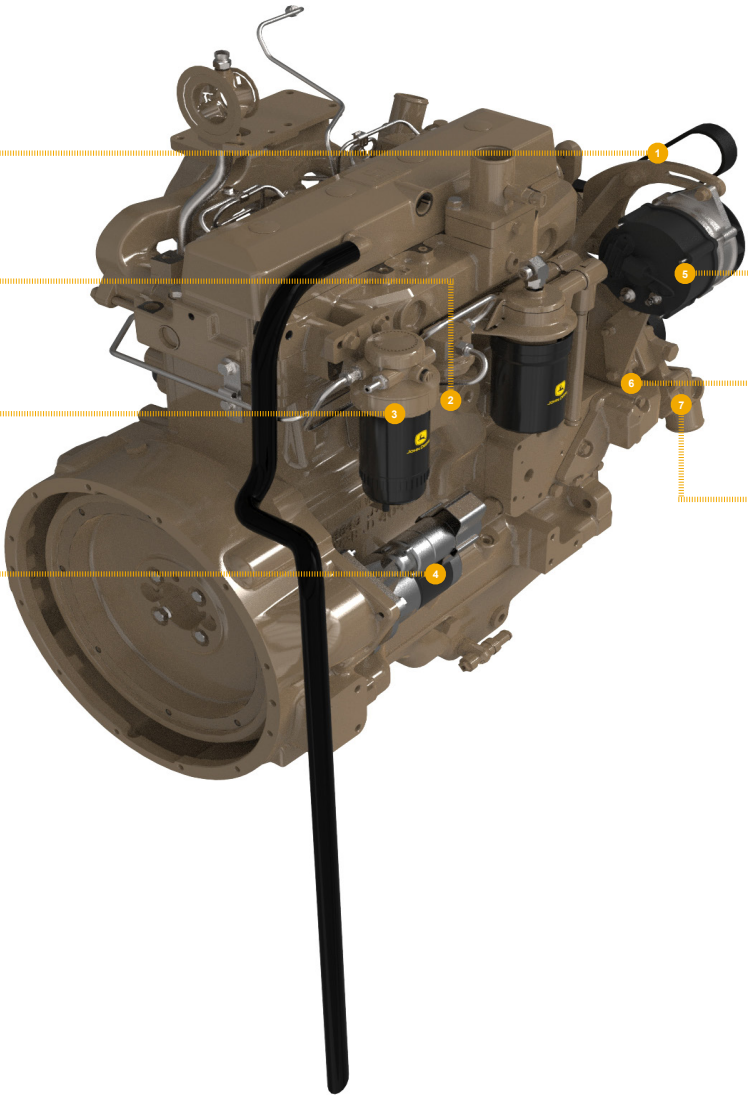




# REPLACEMENT PART GUIDE

## PowerTech 4.5L 4045HFS72 (12-24V 1500RPM) Genset OEM SDMO Engine



**FAN BELT**  
[DZ119059](#) (LGTH=1515 mm) (240B)



**SHORT BLOCK ASSEMBLY**  
[RE571270](#) (ALSO ORDER [RE527042](#) AND [DD15664](#)) (USE WITH 4822)



**FUEL FILTER**  
[RE509208](#) (8140)  
500 hrs of operation or every 12 months.



**STARTER**  
[RE540301](#) (12 V, 2.5 KW) (3005)  
[RE523502](#) (ISKRA, 12V, 4.2KW, RH) (3062)  
[DZ110083](#) (ISKRA, 24V, 4KW, RH3) (3067)  
[RE546868](#) (ISKRA, 3.2KW, 12V, RH) (30BA)



**ALTERNATOR**  
[RE537146](#) (ISKRA, 24V, 50A) (3104,3114)  
[RE505895](#) (ISKRA, 12V,75A) (3135)



**CRANKSHAFT PULLEY**  
[R503880](#) (OD = 188 mm) (1327)

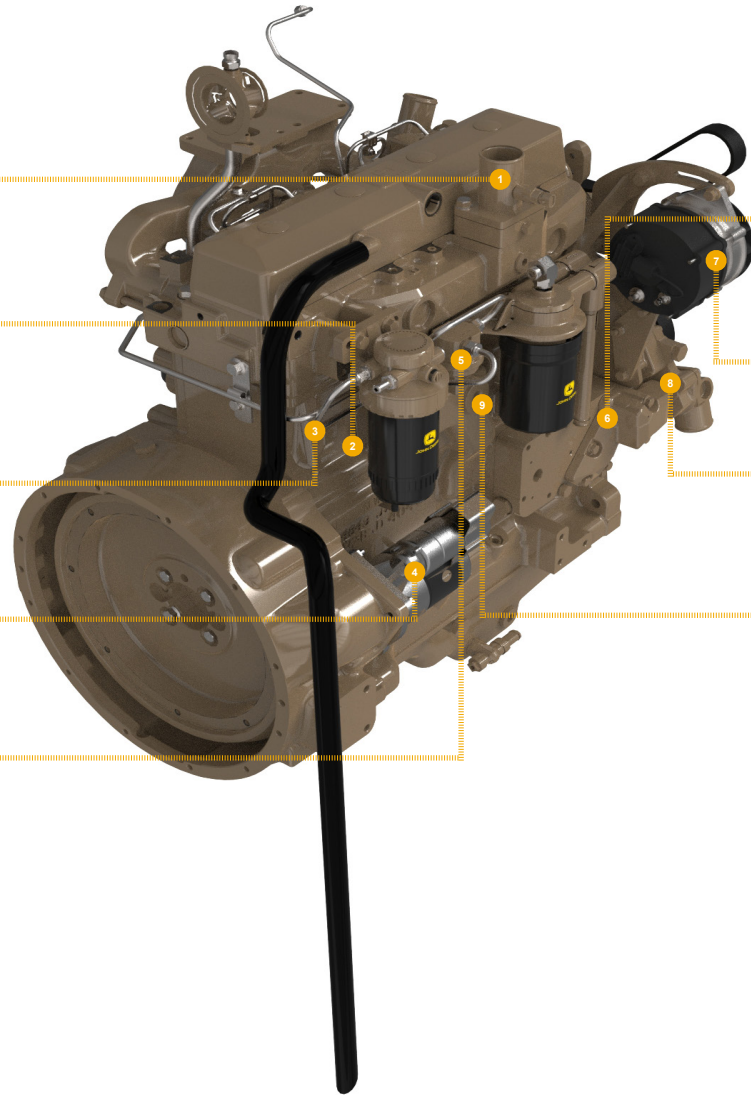


**FAN PULLEY**  
[R128658](#) (OD = 140 mm) (8604)  
[R128660](#) (OD = 168 mm) (8605)



# REMAN PARTS GUIDE

## PowerTech 4.5L 4045HFS72 (12-24V 1500RPM) Genset OEM SDMO Engine



**TURBO CHARGER**  
[SE502278](#) REMAN FOR [RE509818](#) (65CN)



**CONNECTING ROD**  
[SE501094](#) (REMAN FOR [RE500608](#)) (4822)



**CYLINDER HEAD**  
[SE501579](#) (REMAN FOR [RE57234](#)) (5102)



**STARTER**  
[SE502632](#) (REMAN FOR [RE523502](#)) (3062)  
[SE501401](#) (REMAN FOR [RE59588](#)) (3005)



**FUEL INJECTION PUMP**  
[SE501234](#) (REMAN FOR [RE518086](#) AND [RE518167](#)) (16L4,16L5,16K2,16K3)



**OIL PUMP**  
[SE501814](#) (REMAN FOR [DZ100057](#)) (5001)



**ALTERNATOR**  
[SE501341](#) (REMAN FOR [RE504914](#)) (5001)



**WATER PUMP**  
[SE501610](#) (REMAN FOR [RE546917](#) OR [RE505981](#)) (4429)



**COMPLETE BLOCK ASSEMBLY**  
[SE501727](#)  
May not be as illustrated. Includes cylinder head with valves and rocker arm assembly, balancer shafts, oil pump assembly, complete gasket kit with front and rear seals.