

# REPLACEMENT PART GUIDE

## 4045WG304 PowerTech™ PTE 4.5L Wirtgen OEM Engine(T3/SIIIA)



### CRANKSHAFT PULLEY

[R505567](#) (OD = 173 mm) (1328)



### PRIMARY FUEL FILTER

[RE541922](#) (8164)



### FUEL FILTER

[RE522878](#) (35ED)

500 hrs of operation or every 12 months.



### STARTER

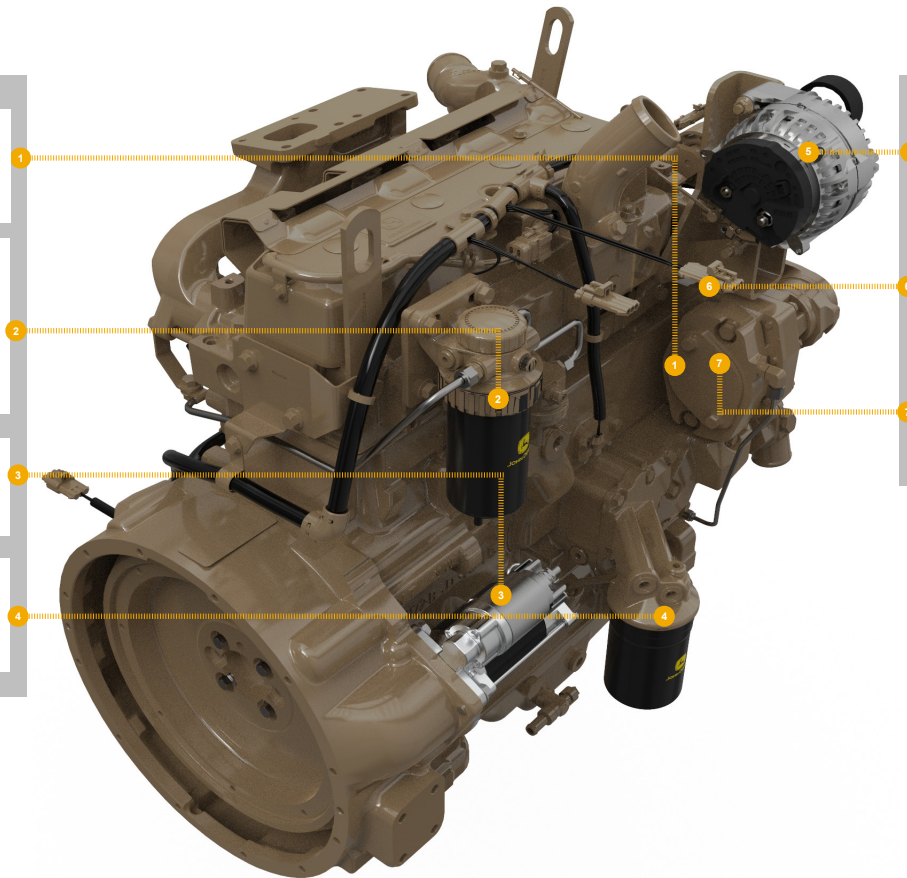
[RE552251](#) (24V, 3.5KW) (30CA)



### OIL FILTER

[RE504836](#) (880Q)

500 hrs of operation or every 12 months.



### ALTERNATOR

[RE558678](#) (24V, 150A) (31AZ)



### FAN PULLEY

[R128658](#) (OD = 140 mm) (8604)



### FAN BELT

[DZ118781](#) (OD = 1700 mm) (24NC)



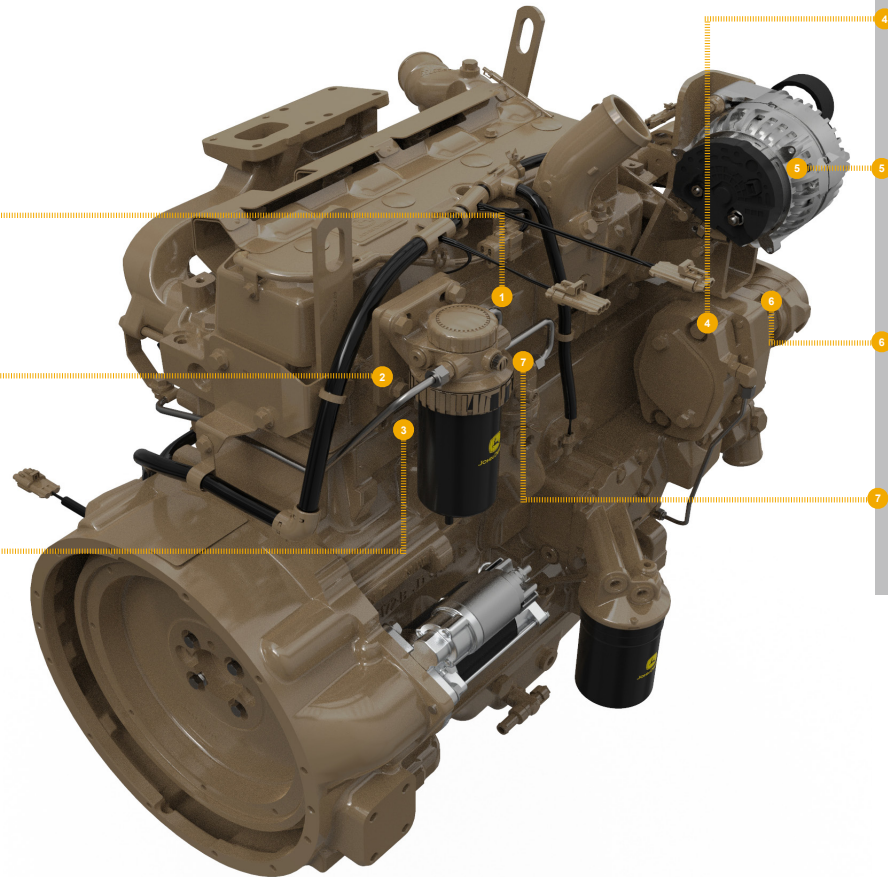
**JOHN DEERE**

Genuine Parts and Service



# REMAN PARTS GUIDE

## 4045WG304 PowerTech™ PTE 4.5L Wirtgen OEM Engine(T3/SIIIA)



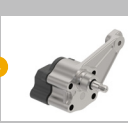
**CONNECTING ROD**  
[SE501094](#) (REMAN FOR [RE500608](#)) (4838)




**FUEL INJECTION NOZZLE**  
[SE501925](#) (REMAN FOR [DZ100212](#)) (16A5)  
**FUEL INJECTION PUMP**  
[SE501915](#) (REMAN FOR [RE507959](#)) (16A5)




**CYLINDER HEAD**  
[SE501809](#) (REMAN FOR [RE532328](#)) (5130)




**OIL PUMP**  
[SE501814](#) (REMAN FOR [DZ100057](#)) (5001)



**ALTERNATOR**  
[SE502674](#) (REMAN FOR [RE558678](#))  
(24V, 150A) (31AZ)



**WATER PUMP**  
[SE501609](#) (REMAN FOR [RE546906](#)) (4434)



**CONTROLLER**  
[SE502802](#) (REMAN FOR [RE526588](#))  
(24V/12V, LEVEL 16) (16A5)