



# REPLACEMENT PART GUIDE

## 4045HP551 PowerTech 4.5L Genset OEM Engine (FT4 / Stage V)



### ALTERNATOR

[RE533516](#) (12 V ) (3138)  
[RE537146](#) (28 V, 50 A) (3142)  
[DZ123120](#) (12 V; 75 A) (31A7)  
[DZ123122](#) (24 V; 55 A) (31A8)



### FUEL FILTERS

**PRIMARY FILTER ELEMENT**  
[DZ128543](#) (35L5) (35L6)

500 Hours of Operation or Every 12 Months.



### FUEL FILTERS

**SECONDARY FILTER ELEMENT**  
[DZ115390](#) (35L5) (35L6)

500 Hours of Operation or Every 12 Months.



### STARTER

[RE546868](#) (12 V) (30BA)  
[RE552251](#) (3.5 KW; 24 V) (30CA)



### CRANKCASE VENT SYSTEM

[DZ105796](#) (29FT)

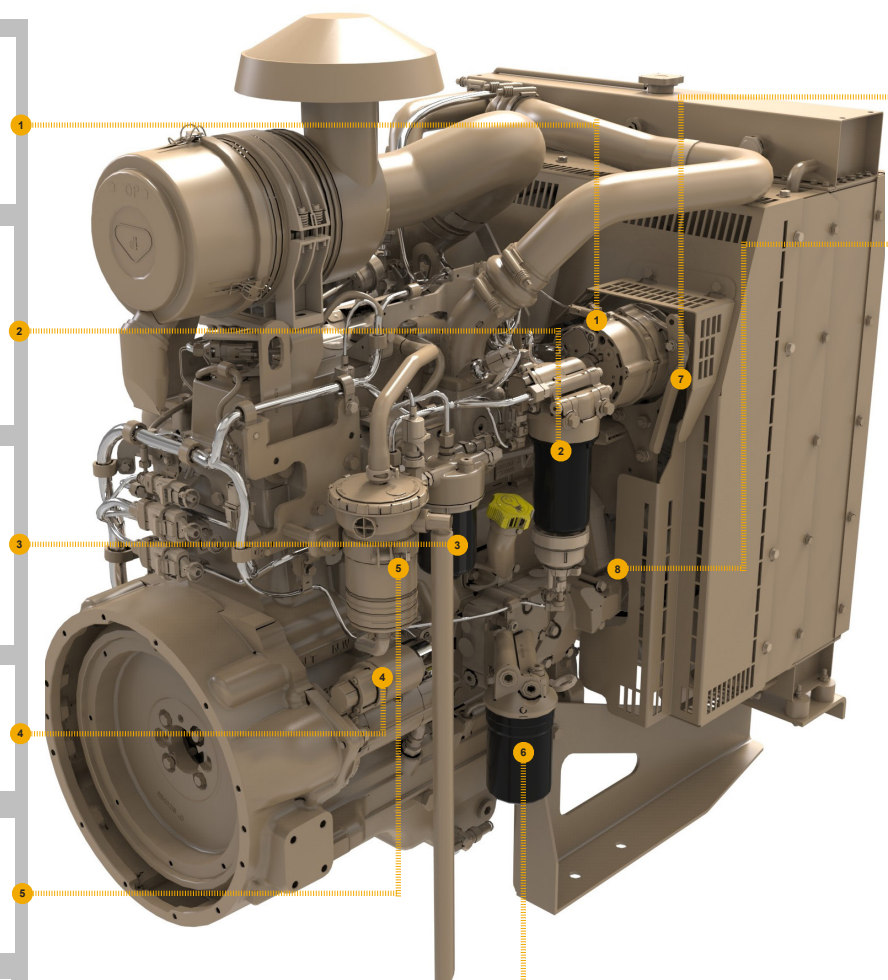
1500 Hours of Operation.



### OIL FILTERS

[RE504836](#) (88BV)

500 Hours of Operation or Every 12 Months.



### FAN BELT

[T428724](#) (LGTH = 1578 mm) (24NQ)  
[DZ119516](#) (LGTH=1558 mm) (24PG)



### FAN PULLEY

[R128660](#) (OD=168 mm) (8605)  
[R128662](#) (OD=203 mm) (8606)



### DEF TANK INLET SCREEN

[DZ114695](#) (3447) (3448) (3449) (3450) (3451)  
 (3452) (3453) (3454)  
 AS required



### DIESEL EXHAUST FLUID INLINE FILTER

[DZ124402](#) (3337) (3338) (3339) (3340) (3341)  
 (3342)  
 8000 Hours of Operation or Every 36 Months.



### SHORT BLOCK ASSEMBLY

[DZ119980](#)



**JOHN DEERE**  
 Genuine Parts and Service

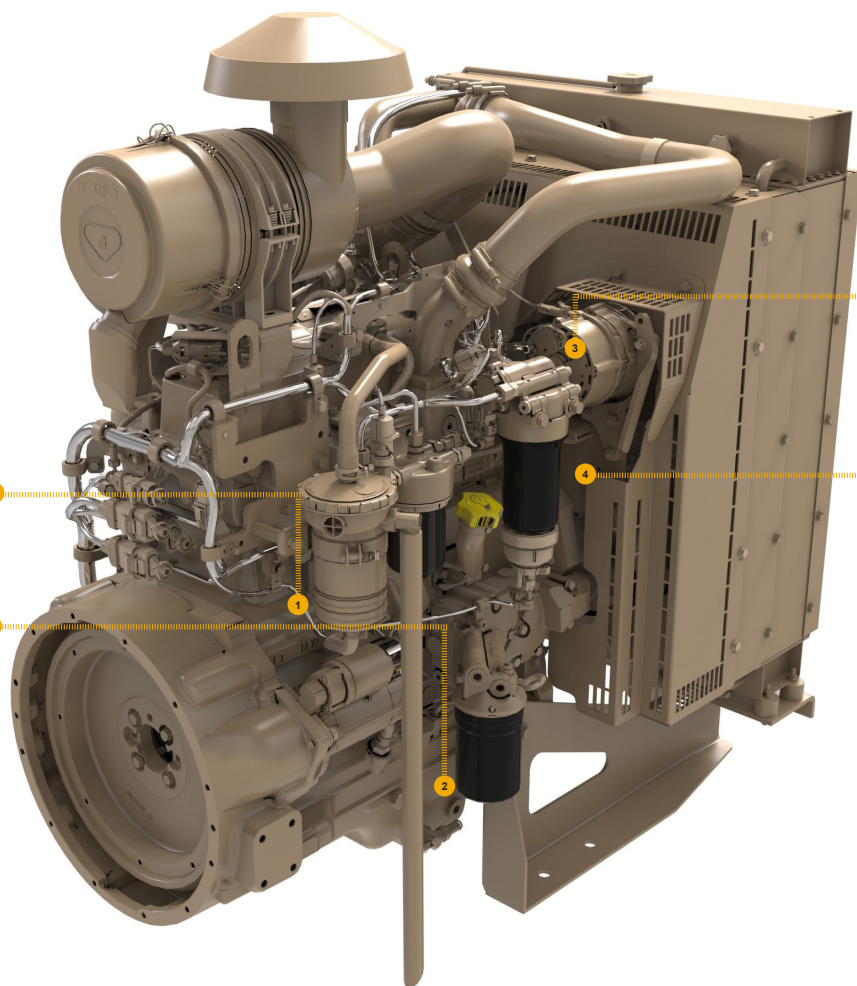
4045HP551 - For company use  
 Jun 2022 Release Date.

CLICK PART NUMBER TO BUY  
 \*See operator's manual for additional details.



# REMAN PARTS GUIDE

## 4045HP551 PowerTech 4.5L Genset OEM Engine (FT4 / Stage V)



### CONNECTING ROD

[SE501094](#) ( REMAN FOR [RE500608](#) ) (48AR)



### OIL PUMP

[SE501814](#) ( REMAN FOR [DZ100057](#) ) (5001)



### ALTERNATOR

[SE501341](#) ( REMAN FOR [DZ114957](#) )

(28 V, 55 A, 3142)

[SE501387](#) ( REMAN FOR [DZ114956](#) )

(14 V, 120 A, 3138)

[SE502626](#) ( REMAN FOR [RE533516](#) )

(12 V, 75 A, 3138)



### WATER PUMP

[SE501227](#) ( REMAN FOR [RE546918](#) ) (4490)

[SE502816](#) ( REMAN FOR [RE546918](#) ) (4490)

