

REPLACEMENT PARTS GUIDE

6068TFM50 PowerTech 6.8L Marine Engine



PRIMARY FUEL FILTER

[RE62425](#) (3577, 3584)

[RE62420](#) (3577, 3578, 3584)

Replace 500 Hours of Operation or Every 12 Months.



STARTER MOTOR

[RE564633](#) (24V, 4KW) (3090)

[RE70957](#) (12V) (3006)

[RE536490](#) (12V, 4KW) (30AG)

[RE501150](#) (24V) (3041)



ALTERNATOR

[RE540412](#) (14V, 75A) (3148)

[RE540413](#) (28V, 50A) (3149)

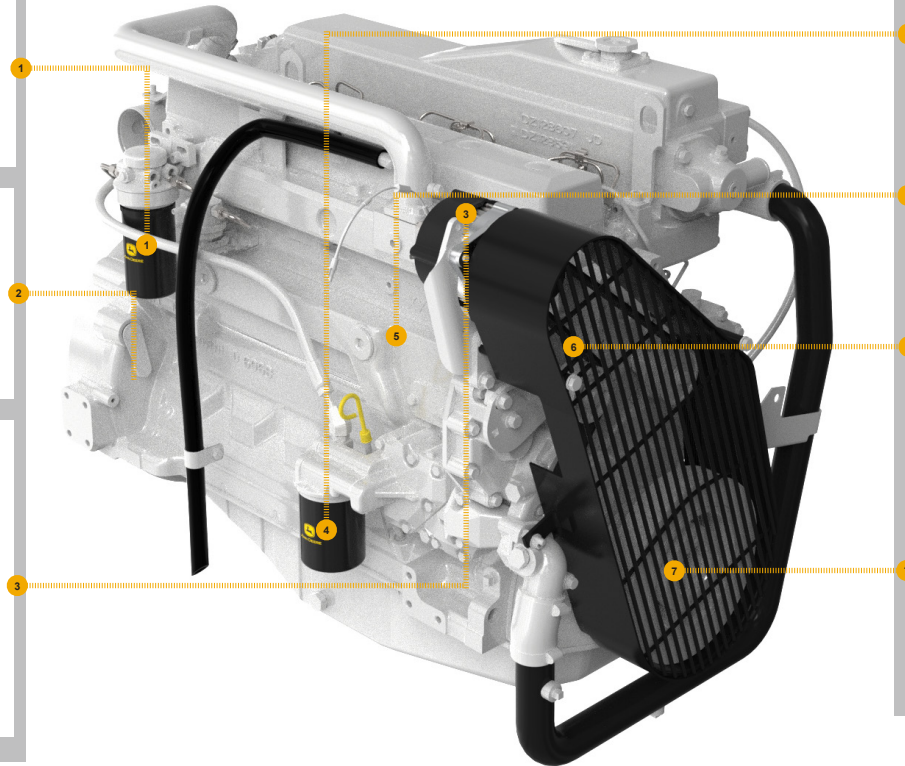
[RE533653](#) (12V, 95A) (3107)

[RE533654](#) (12V, 120A) (3108)

[RE533516](#) (12V, 75A) (3109)

[RE537146](#) (24V, 50A) (3104)

[DZ117503](#) (24V, 140A) (3126)



OIL FILTER

[DZ118286](#) (8816)

Replace 500 Hours of Operation or Every 12 Months.



SHORT BLOCK ASSEMBLY

[RE571655](#) (SQUARED NOSE CRANKSHAFT)



FAN BELT

[DZ119515](#) (LGTH = 1585 MM) (24CZ,24CY)

[R500277](#) (LGTH = 1500 MM) (240N,24BN)



CRANKSHAFT PULLEY

[R133295](#) (OD = 173 MM) (1306)

TORSIONAL DAMPER

[RE500013](#) (OD = 264 MM) (6803)



JOHN DEERE

Genuine Parts and Service

REMAN PARTS GUIDE

6068TFM50 PowerTech 6.8L Marine Engine



FUEL INJECTION PUMP

[SE501313](#) (REMAN FOR [RE502619](#)) (16FA)

[SE501320](#) (REMAN FOR [RE507105](#))
(16FA, 16TB)



STARTER MOTOR

[SE501406](#) (REMAN FOR [RE501150](#))
(24V) (3041)

[SE502733](#) (REMAN FOR [RE564633](#))
(24V, 4KW) (3090)

[SE501403](#) (REMAN FOR [RE70957](#))
(12V) (3006)



ALTERNATOR

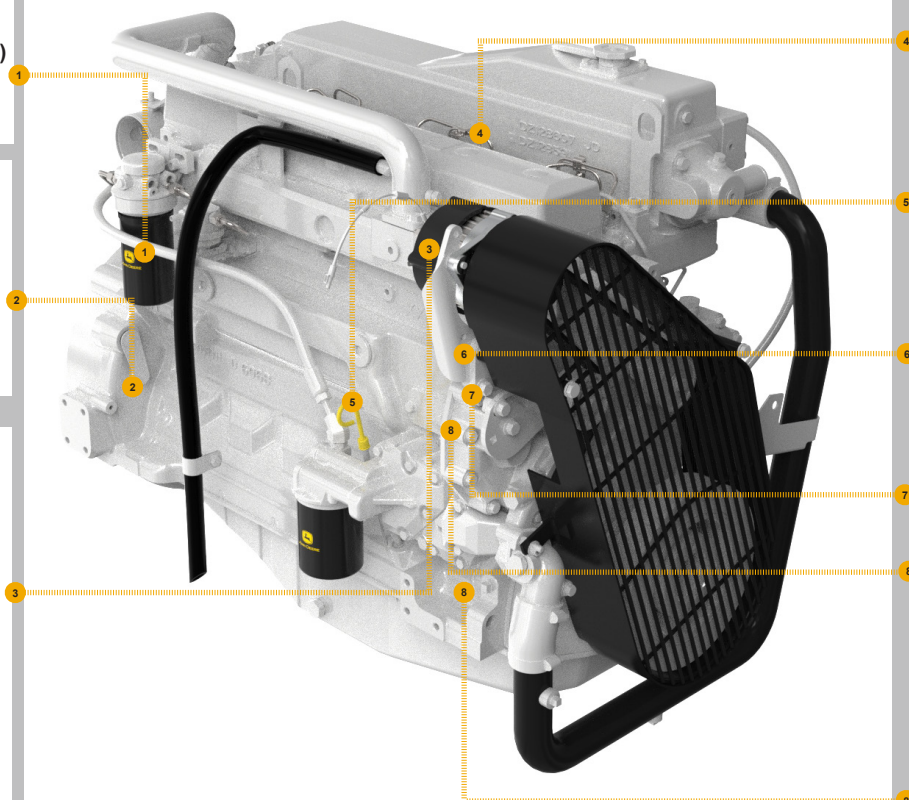
[SE502627](#) (REMAN FOR [RE533653](#))
(12V, 95A) (3107)

[SE502628](#) (REMAN FOR [RE533654](#))
(12V, 120A) (3108)

[SE501343](#) (REMAN FOR [AH165975](#))
(12V, 120A) (3108)

[SE502626](#) (REMAN FOR [RE533516](#))
(12V, 75A) (3109)

[RM100226](#) (REMAN FOR [RE540412](#))
(14V, 75A) (3148)



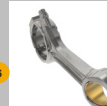
TURBOCHARGER

[SE502177](#) (REMAN FOR)
(65JD, 6570, 6571, 65JC)



OIL PUMP

[SE501814](#) (REMAN FOR [DZ100057](#)) (5001)



CONNECTING RODS

[SE501094](#) (REMAN FOR [RE500608](#))
(4810, 4815, 4824)



CYLINDER HEAD

[SE501581](#) (REMAN FOR [RE57489](#)) (5107)



COMPLETE BLOCK ASSEMBLY

[SE500728](#)
May not be as illustrated. Includes cylinder head with valves and rocker arm assembly, oil pump assembly, complete gasket kit with front and rear seals.



WATER PUMP

[SE501951](#) (REMAN FOR [RE504911](#)) (4412)



JOHN DEERE
Genuine Parts and Service