

# REPLACEMENT PARTS GUIDE

## 6068WG501 PowerTech PVS 6.8L Wirtgen OEM Engine(FT4/SV)



### FAN BELT

[DZ121129](#) (LGTH = 1745 MM) (24PD)



### ALTERNATOR

[RE558676](#) (24V ,100A) (31AD)



### OIL FILTER

[RE539279](#) (5970)

Replace 500 Hours of Operation or Every 12 Months



### OCV FILTER

[DZ105100](#) (29ER)

1500 Hours of Operation.



### STARTER

[RE556974](#) (24V, 4KW, RH3) (30BH)



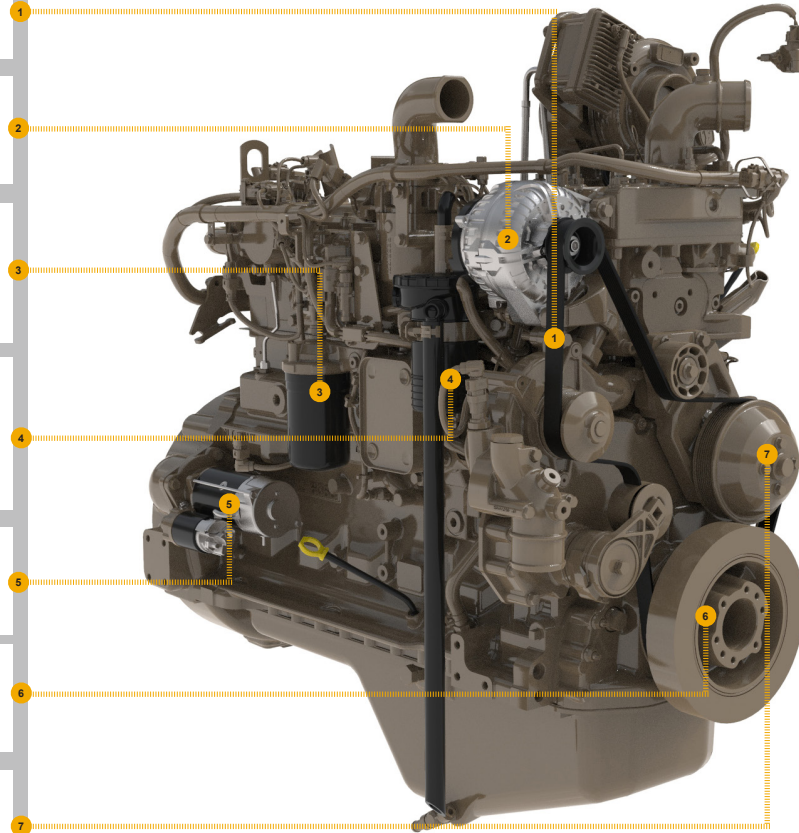
### CRANKSHAFT PULLEY

[RE508578](#) (OD= 264.5 mm) (1320)



### FAN PULLEY

[DZ124161](#) (OD= 168 mm) (8640)



### DIESEL EXHAUST FLUID INLINE FILTER

[DZ124403](#) (61PE)

8000 Hours of Operation or 36 Months.



### DOSING UNIT PUMP FILTER

[DZ114640](#) (61PE)

4500 Hours of Operation or 36 Months.



### DIESEL EXHAUST FLUID TANK INLET SCREEN

[DZ114695](#) (61PE)

Replace : As Required.

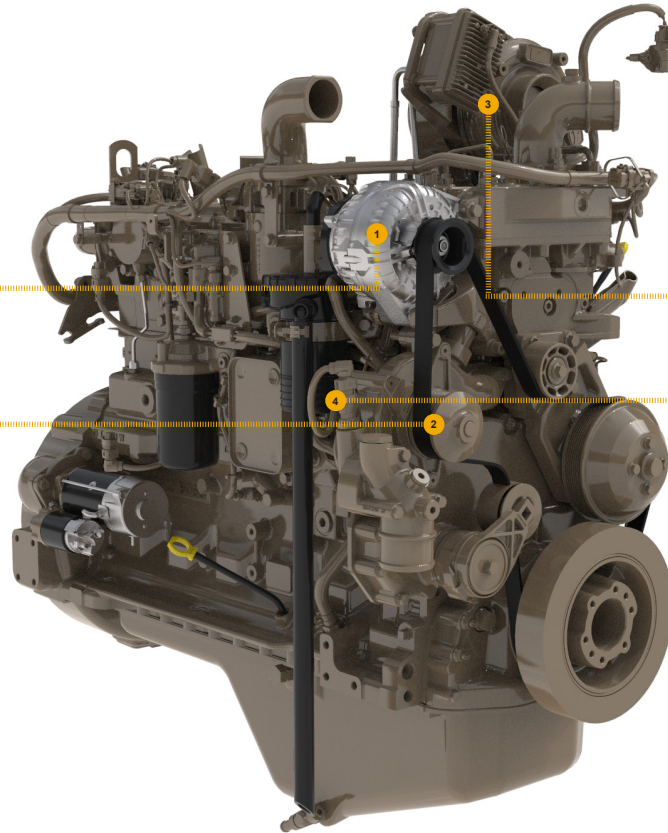


**JOHN DEERE**

Genuine Parts and Service

# REMAN PARTS GUIDE

## 6068WG501 PowerTech PVS 6.8L Wirtgen OEM Engine(FT4/SV)



### ALTERNATOR

[SE502563](#) (REMAN FOR [RE558676](#))  
(24V ,100A) (31AD)



### WATER PUMP

[SE502636](#) (REMAN FOR [RE539091](#)) (2050)



### CONTROLLER

[RM100131](#) (REMAN FOR [RE551059](#)) (84RQ)



### CONNECTING RODS

[SE501094](#) (REMAN FOR [RE500608](#)) (4865)



**JOHN DEERE**

Genuine Parts and Service